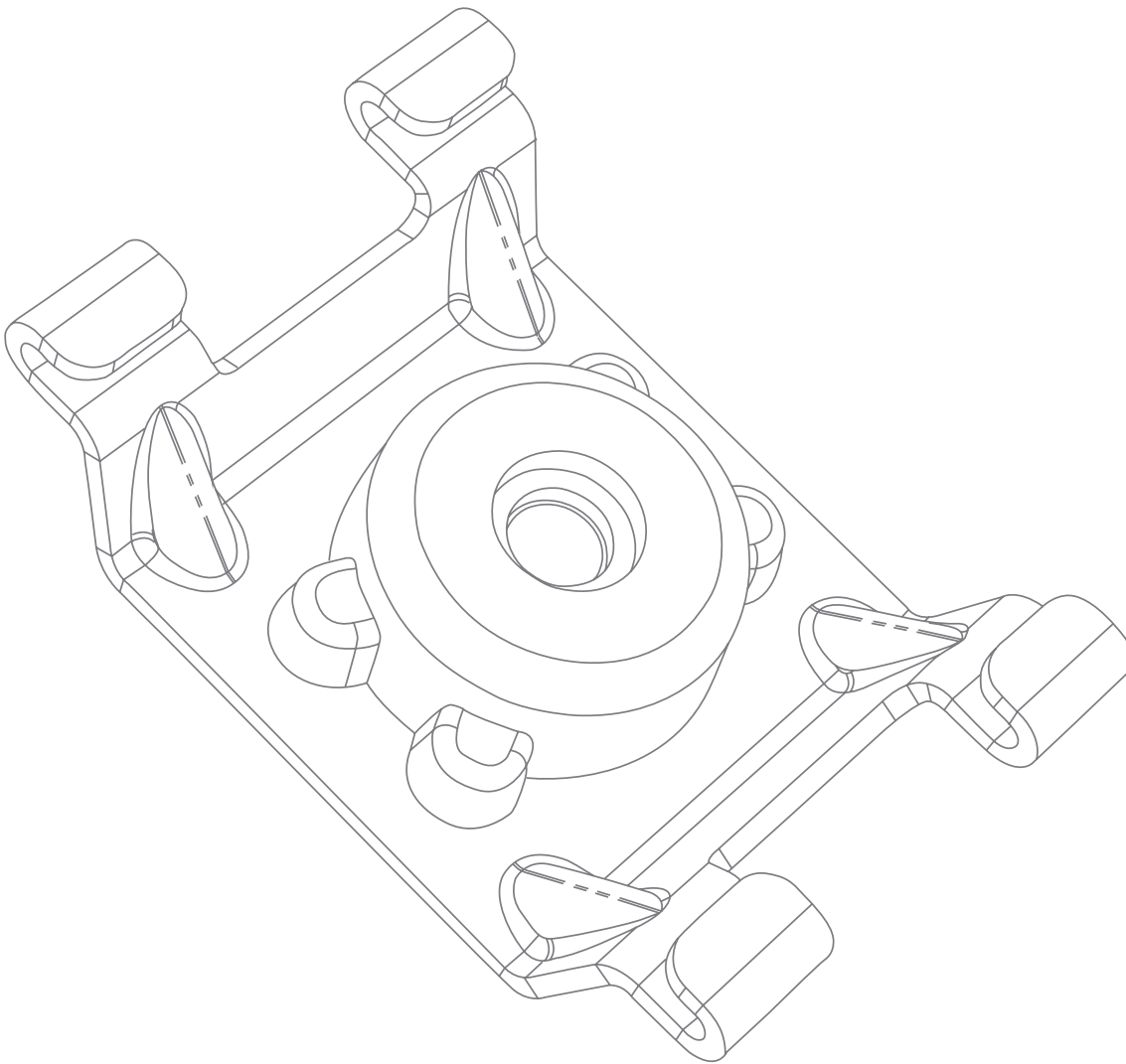




It's not magic, it's engineering.®

GENIECLIP® RST

Resilient Sound Isolation Clip



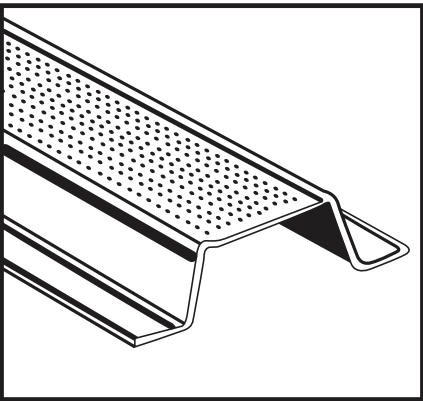
INSTALLATION INSTRUCTIONS

NOTE If at any time there is a question or concern as to the installation methods please contact **Pliteq Inc.** or your local representative.



GenieClip® RST Specifications

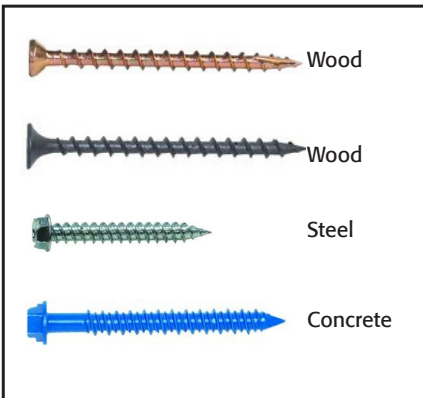
| | |
|---|---------------------|
| Width | 40 mm (1 5/8") |
| Height | 24 mm (15/16") |
| Length | 63 mm (2 1/2") |
| Weight | 40 grams (1.25 oz.) |
| Max Spacing on Pliteq® Furring Channel | 1200 mm centres |
| Max Acoustic Design Load | 16 kilo (36 lb) |



Drywall Furring Channel Specifications (Hat Channel)

| | |
|---|--------------------------|
| Gage minimum | 25 ga. With hemmed edges |
| Width min at base | 63.5 mm (2.5") |
| Width max recommended at base | 70 mm (2.75") |
| Width at top | 32 mm (1.25") |
| Height standard | 22 mm (7.8") |
| Max Clip Spacing on Pliteq Furring Channel | 1200 mm centres |
| Max Acoustic Design Load per Clip | 16 kilo (36 lb) |

NOTE – Splice drywall **Pliteq Furring Channel** with 150 mm (6") overlaps in mid span between clips. Secure with 18 ga. Wire or (2) two 7/16" framing screws.
IMPORTANT!!! 25ga. Furring Channels **MUST** have hemmed edges



Fasteners for Wood Steel or Concrete

| | |
|----------|---|
| Wood | Wood #8 x 2 1/2 Coarse Threads, or # 8 x 2 1/2", Coarse thread Drywall screws |
| Steel | #8, #10 or #12 – 1 5/8" Self Tapping , fine thread, Type S |
| Concrete | 3/16" or 1/4" x 2 1/4" long Anchors Screws |

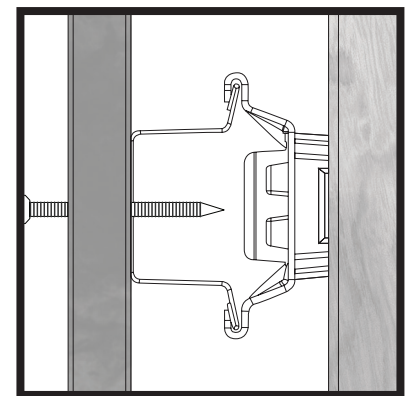
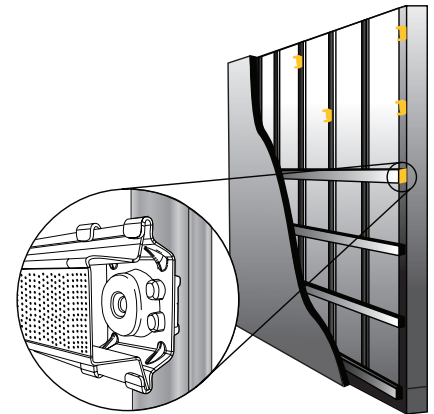
NOTES

- Use fasteners that will have a minimum of 120 lbs pull out or shear strength in the wood, steel or concrete substrate.
- Tighten fasteners until they come into solid contact with the top washer on the **GenieClip RST**. For best acoustic results **DO NOT OVER TIGHTEN**

WALL INSTALLATION GUIDE

NOTES One and Two Layers of 16 mm Drywall

- **GenieClip® RST** shall not exceed 1200 mm on center. (horizontal)
- Spacing between the **Pliteq® Furring Channels** (hat channel) shall not exceed 609 mm. **Pliteq Furring Channels** are installed perpendicular to the studs.
- Fasten all **GenieClip RST** to the substrate with a fastener approved for a minimum pull out and shear of 54.5 kilo.
- Tighten fasteners until they come into solid contact with the top washer on the **GenieClip RST**. For best acoustic results DO NOT OVER TIGHTEN
- Locate the bottom row of **Pliteq Furring Channel** within 75 mm to 150 mm of the floor and install in a pattern roughly as per drawing below.
- Locate the top row of **Pliteq Furring Channel** within 150 mm of the ceiling.
- Install all other rows of **Pliteq Furring Channel** ensuring maximum spacing between rows does not exceed 609 mm.
- Add additional short rows of **Pliteq Furring Channel** and clips to pick up drywall edges around doors and windows as needed.
- Snap **Pliteq Furring Channel** into the **GenieClip RST** and make joints between clips with a 150 mm overlap. Secure with 18 ga. wire or two 11 mm framing screws.
- **IMPORTANT** Before and drywall is applied place 6.5 mm to 9.5 mm shims on floor to fully support plasterboard.
- Install plasterboard (drywall) from the bottom up leaving 6.5 mm spacing (min) around total perimeter.
- **ONLY** remove the shims after ALL plasterboard is installed and screwed to ALL **Pliteq Furring Channels**. Ensure that every screw is installed according to assembly design in each layer of plasterboard. Shims are critical for best acoustic results.
- For best acoustic results, if there is more than one layer of plasterboard, seams should be staggered.
- Caulk around the entire perimeter of the plasterboard filling the whole space with non hardening acoustic caulk. Use fire and smoke rated caulking sealant where required. Do not install caulking so that it is 'proud' of the plasterboard surface.
- After caulking has set,...tape and finish as usual.

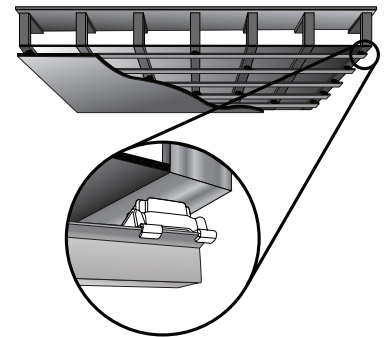


NOTE It is impossible to “short circuit” the **GenieClip RST** System when the correct screws are used. Should the installer hit a clip location, they will not be able to ‘seat’ the screw. They will be forced to move left or right on the track away from the **GenieClip RST**.

CEILING INSTALLATION GUIDE

NOTES One and Two Layers of 16 mm Drywall

- **GenieClip® RST** shall not exceed 1219 mm on center. (horizontal)
- Spacing between the **Pliteq Furring Channel** (hat channel) shall not exceed 609 mm. **Pliteq Furring Channels** are installed perpendicular to the joists.
- Fasten the **GenieClip RST** to the substrate with a fastener approved for a minimum pull out and shear of 54.5 kilo.
- Tighten fasteners until they come into solid contact with the top washer on the **GenieClip RST**.
- For best acoustic results DO NOT OVER TIGHTEN.
- Locate the first row of **Pliteq Furring Channel** within 75 mm to 150 mm of the wall edge and install in a pattern roughly as per drawing below.
- Locate the last of **Pliteq Furring Channel** within 75 mm to 150 mm of the opposite wall.
- Install all other rows of **Pliteq Furring Channel** ensuring maximum spacing between rows does not exceed 609 mm.
- **IMPORTANT NOTE** If the cavity is to have acoustic batt fill some codes require that steel members not exceed 406 mm on centers. Check with local building and fire codes.
- **Pliteq Furring Channel** shall not be cantilevered more than 152 mm beyond the last sound control clip.
- Snap **Pliteq Furring Channel** into the **GenieClip RST** and make joins between clips with a 152 mm overlap. Secure with 18 ga. wire or two 11 mm framing screws.
- For best acoustic results if there is more than one layer of plasterboard, seams should be staggered.
- Caulk around the entire perimeter of the plasterboard filling the whole space with non hardening acoustic caulk. Use fire and smoke rated caulking sealant where required. Do not install caulking so that it is 'proud' of the plasterboard surface.
- After caulking has set,...tape and finish as usual.



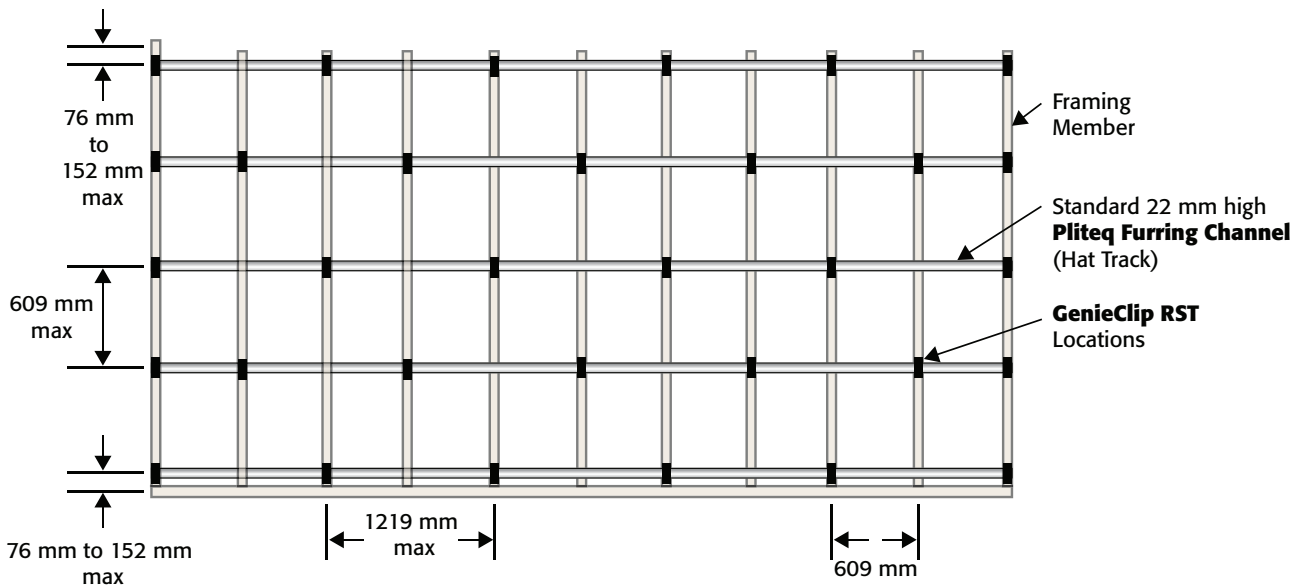
General Information

- **GenieClip RST** and plasterboard shall not carry heavy point loads such as cabinets or book shelves.
- 25 ga. **Pliteq Furring Channel** must have hemmed edge. Splice furring channel in mid span between clips with 150 mm overlap, securing with 18 ga. wire or two 11 mm framing screws.
- For best acoustic results seal all potential air leaks with non hardening acoustic caulking. Use fire rated caulk where required. Resilient putty pads should be used to seal back of outlet boxes along with acoustic caulk.
- Steel studs shall be a minimum of 20 ga.

WALL AND CEILING INSTALLATION GUIDE FOR WOOD OR STEEL FRAMING WITH FURRING ON 609 MM CENTERS

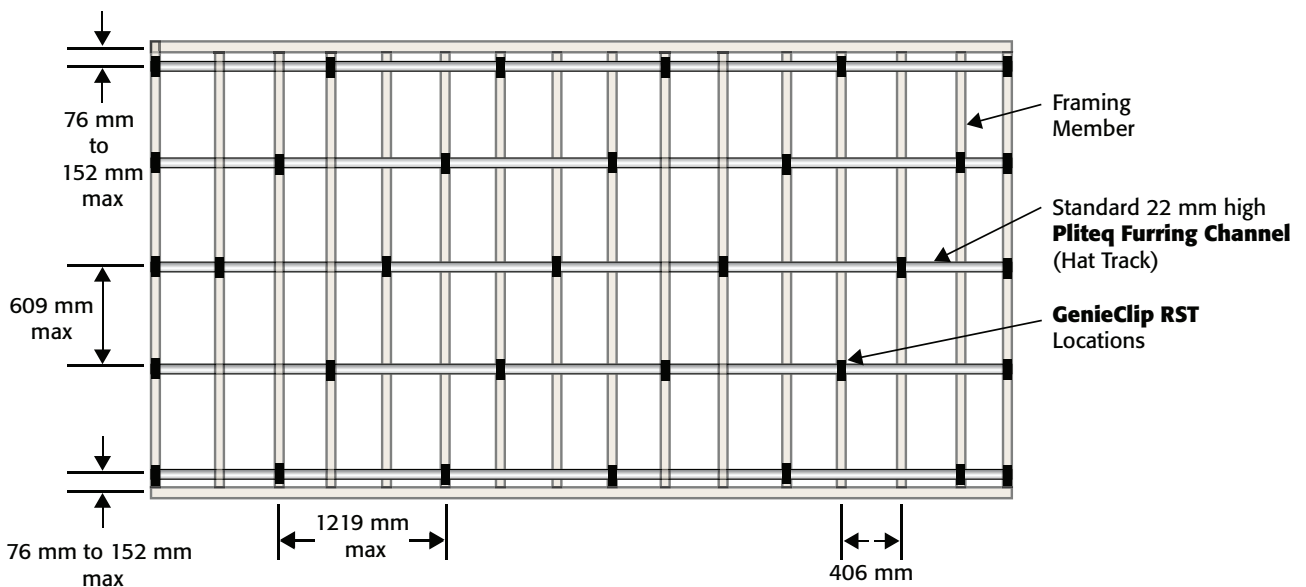
Wall or Ceiling Framing at 609 mm o.c.

GenieClip® RST at 1219 mm o.c., furring at 609 mm o.c. 1 or 2 Layers of 16 mm plasterboard



Wall or Ceiling Framing at 406 mm o.c.

GenieClip RST at 1219 mm o.c., furring at 609 mm o.c. 1 or 2 Layers of 16 mm plasterboard



ESTIMATED **GENIECLIP® RST** USAGE CHART FOR WALLS AND CEILINGS

STEEL OR WOOD FRAMING (**GENIECLIP RST** IS SPACED 1219 mm o.c. FURRING 609 mm o.c.)
FOR ONE OR TWO LAYERS OF 16 mm PLASTERBOARD

| | 1~4' | 5~8 | 9~12 | 13~16 | 17~20 | 21~24 | 25~28 | 29~32 | 33~36 | 37~40 |
|-------|------|-----|------|-------|-------|-------|-------|-------|-------|-------|
| 1~3' | 4pcs | 6 | 8 | 10 | 12 | 14 | 16 | 18 | 20 | 22 |
| 3~5 | 6 | 9 | 12 | 15 | 18 | 21 | 24 | 27 | 30 | 33 |
| 5~7 | 8 | 12 | 16 | 20 | 24 | 28 | 32 | 36 | 40 | 44 |
| 7~9 | 10 | 15 | 20 | 25 | 30 | 35 | 40 | 45 | 50 | 55 |
| 9~11 | 12 | 18 | 24 | 30 | 36 | 42 | 48 | 54 | 60 | 66 |
| 11~13 | 14 | 21 | 28 | 35 | 42 | 49 | 56 | 63 | 70 | 77 |
| 13~15 | 16 | 24 | 32 | 40 | 48 | 56 | 64 | 72 | 80 | 88 |
| 15~17 | 18 | 27 | 36 | 45 | 54 | 63 | 72 | 81 | 90 | 99 |
| 17~19 | 20 | 30 | 40 | 50 | 60 | 70 | 80 | 90 | 100 | 110 |
| 19~21 | 22 | 33 | 44 | 55 | 66 | 77 | 88 | 99 | 110 | 121 |
| 21~23 | 24 | 36 | 48 | 60 | 72 | 84 | 96 | 108 | 120 | 132 |
| 23~25 | 26 | 39 | 52 | 65 | 78 | 91 | 104 | 117 | 130 | 143 |
| 25~27 | 28 | 42 | 56 | 70 | 84 | 98 | 112 | 126 | 140 | 154 |
| 27~29 | 30 | 45 | 60 | 75 | 90 | 105 | 120 | 135 | 150 | 165 |
| 29~31 | 32 | 48 | 64 | 80 | 96 | 112 | 128 | 144 | 160 | 176 |
| 31~33 | 34 | 51 | 68 | 85 | 102 | 119 | 136 | 153 | 170 | 187 |
| 33~35 | 36 | 54 | 72 | 90 | 108 | 126 | 144 | 162 | 180 | 198 |
| 35~37 | 38 | 57 | 76 | 95 | 114 | 133 | 152 | 171 | 190 | 209 |
| 37~39 | 40 | 60 | 80 | 100 | 120 | 140 | 160 | 180 | 200 | 220 |
| 39~41 | 42 | 96 | 84 | 105 | 126 | 147 | 168 | 189 | 210 | 231 |

PLEASE NOTE

- It is always best to have a few extra **GenieClip RST** on hand for non standard room configurations and to fit around windows, doors, bulkheads etc.

CONTACT Us

For Your Project Specific Questions

Middle East +971 4 813 5501 | **UK** +44 203 9846444 | **Asia Pacific** +65 8452 6865

E. info@pliteq.ae

© Pliteq Building Materials Trading LLC. 2021.

®™ Trademarks of Pliteq Inc. The information provided is accurate to the best of our knowledge at the time of issue. However, we reserve the right to make changes when necessary without further notification. Suggested application may need to be modified to conform with local building codes and conditions. We cannot accept responsibility for products that are not used, or installed, to our specifications. All listed dimensions are nominal.



www.pliteq.ae