



It's not magic, it's engineering.®

Impact and Airborne Sound Control

GENIEMAT[®] RST

Underlayment for Reduced Sound Transmission



MIDDLE EAST EDITION

GENIEMAT[®] RST

Sound Control Underlayment

FROM THE INVENTOR OF THE PATENTED TECHNOLOGY (US 6920723, US RE41945, CA 2398262) FOR RECYCLED RUBBER USED FOR IMPACT SOUND INSULATION, DIRECTLY BELOW FLOOR COVERINGS.

GenieMat RST is a flat, resilient, reduced sound transmission mat made from 94% recycled rubber content, used directly under hard surface floor finishes and over concrete and wood construction.

It is used when superior sound control is required in residential, education, hospitality, commercial and healthcare high-rises, or commercial buildings and protects ceramic tile, porcelain and stone from substrate cracks.

Engineered for direct adhered floor coverings such as tile, stone, wood, and vinyl floor coverings.

Tile – All products rated for minimum of commercial use.

Wood – **GenieMat FAS** adhesives offer superior bonding strength.

Vinyl – One-step method provides superior sound control for resilient floor coverings.

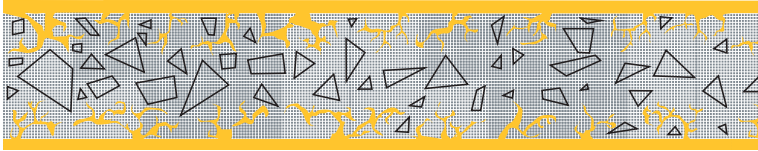
Features and Benefits:

- Mold, bacteria, fungi, and water resistant
- Exceeds pass criteria for point load test for crack isolation membrane (ANSI 118.12)
- Meets requirements for VOC emissions (IAQ test, ASTM D5116)
- Qualifies for LEED[®] points
- Floorscore[®] certified
- Complete floor covering system warranty available

PRODUCT SPECIFICATIONS

| PRODUCT | ROLL SIZE | AVERAGE DYNAMIC STIFFNESS (BS EN 29052) | TYPE A HARDNESS (ISO 7619-1) | TCNA ROBINSON TEST WITH TILE (ASTM C627) |
|-----------------------|------------------|---|------------------------------|--|
| GenieMat RST02 | 1.22 m x 22.86 m | 157 MN/m ³ | 40 durometer | Extra heavy commercial |
| GenieMat RST05 | 1.22 m x 9.14 m | 105 MN/m ³ | 40 durometer | Moderate commercial |
| GenieMat RST10 | 1.22 m x 4.57 m | 64 MN/m ³ | 40 durometer | Light commercial |
| GenieMat RST12 | 1.22 m x 4.57 m | 60 MN/m ³ | 40 durometer | Light commercial |
| GenieMat RST15 | 1.22 m x 4.57 m | 54 MN/m ³ | 40 durometer | Light commercial |

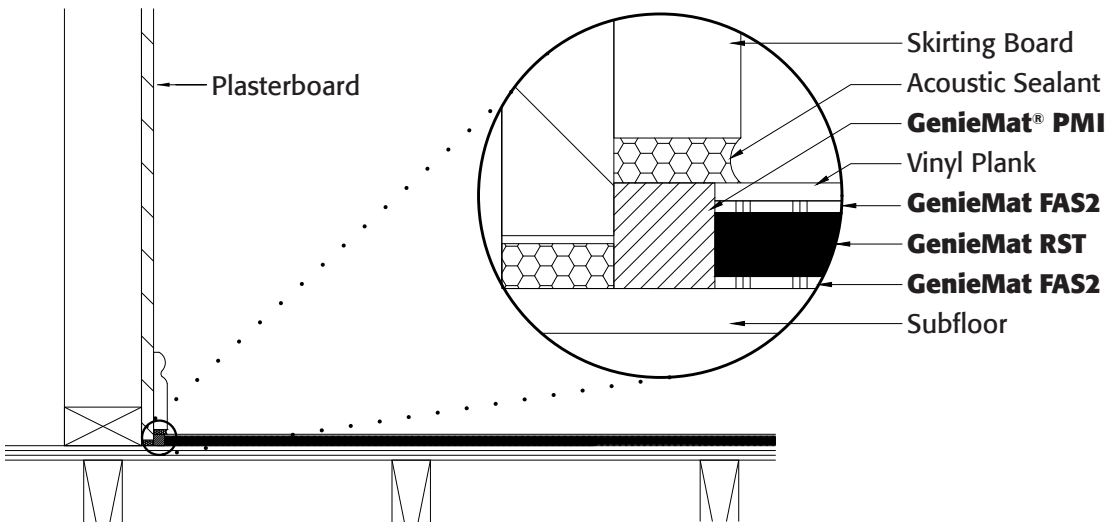
RUBBER IS THE BEST VIBRATION ISOLATION MATERIAL



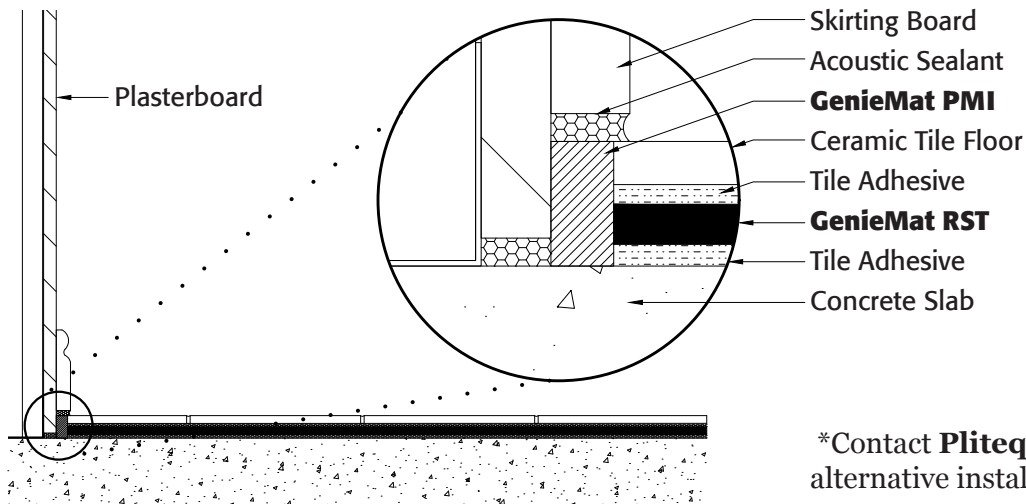
POSITIVE ADHESIVE LOCK
For very high bond strengths with adhered floor coverings.

APPROVED FOR PORCELAIN TILE, VINYL SHEET, LUXURY VINYL PLANK, CERAMIC TILE, AND ALL TYPES OF WOOD FLOOR

Fully Warranted Vinyl Plank System



Fully Warranted Ceramic Tile System

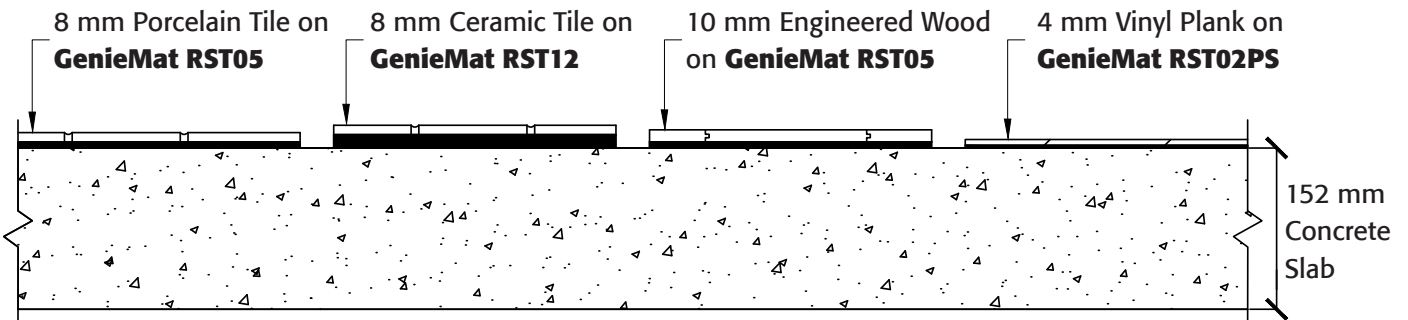


*Contact **Pliteq** engineering for alternative installation methods.

GENIEMAT® RST ACOUSTIC TEST DATA

IMPACT INSULATION SYSTEM

152 mm Concrete Slab



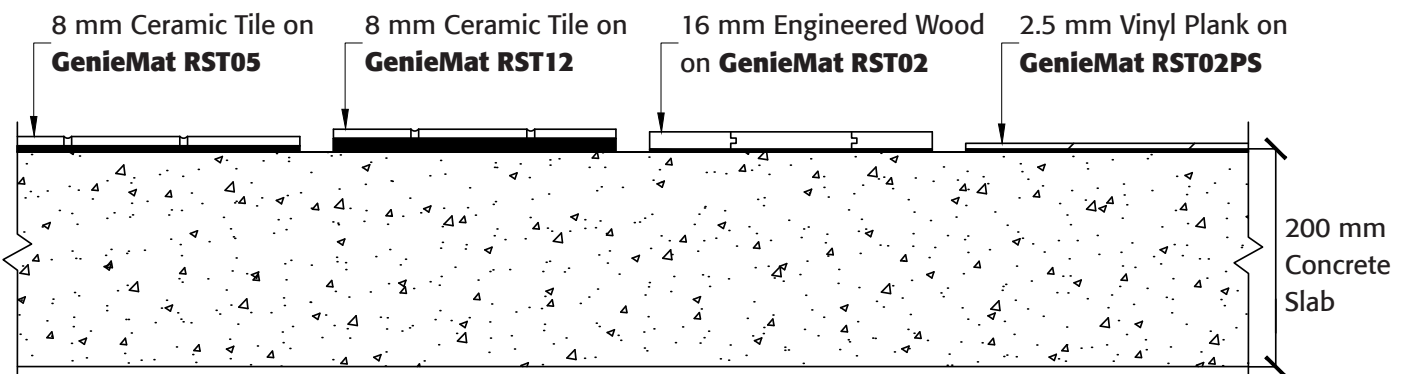
50 IIC 20 ΔIIC
E2783.02

53 IIC 23 ΔIIC
7013025 7013026

51 IIC 21 ΔIIC
7014011 7014012

52 IIC 23 ΔIIC
F9365.09

200 mm Concrete Slab



51 IIC
7013110

55 IIC
E8741.01

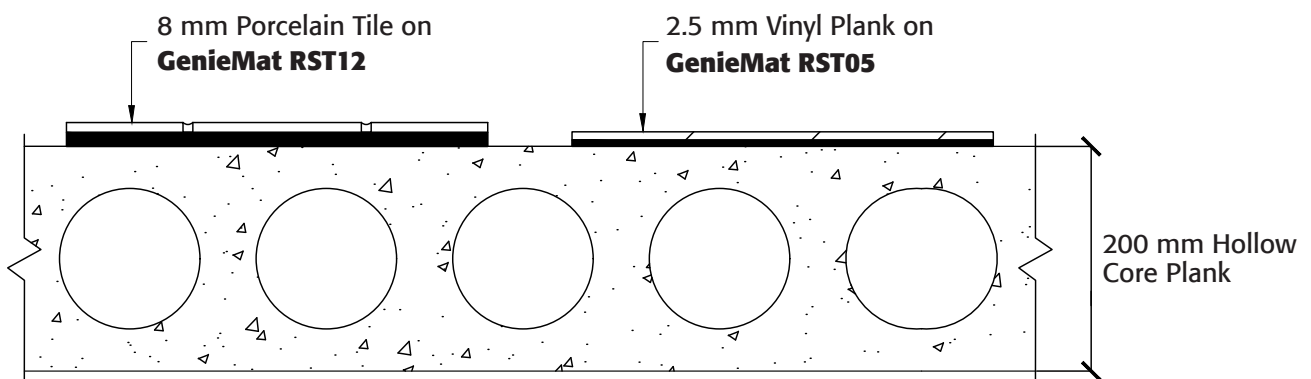
54 IIC
B3498.7

52 IIC
F8530.07

GENIEMAT® RST ACOUSTIC TEST DATA

IMPACT INSULATION SYSTEM

Hollow Core Plank



51
IIC

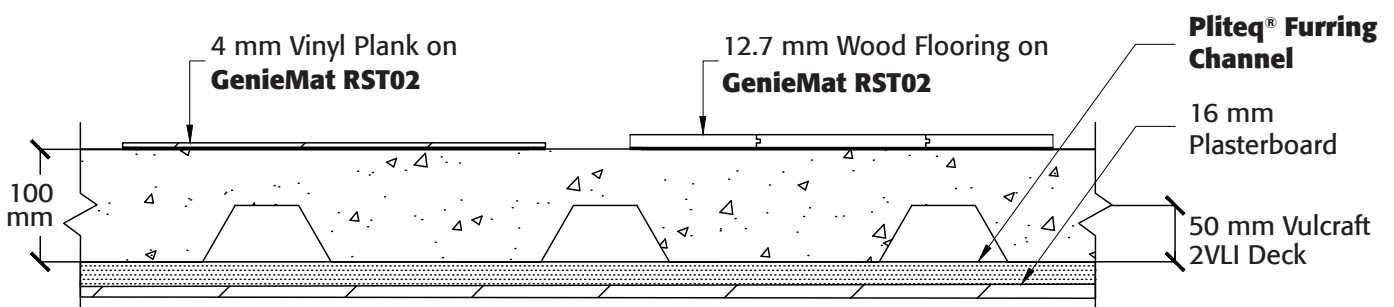
F0223.10

52
IIC

F0223.04

NOTE: No ceiling assembly tested.

Trapezoid Deck

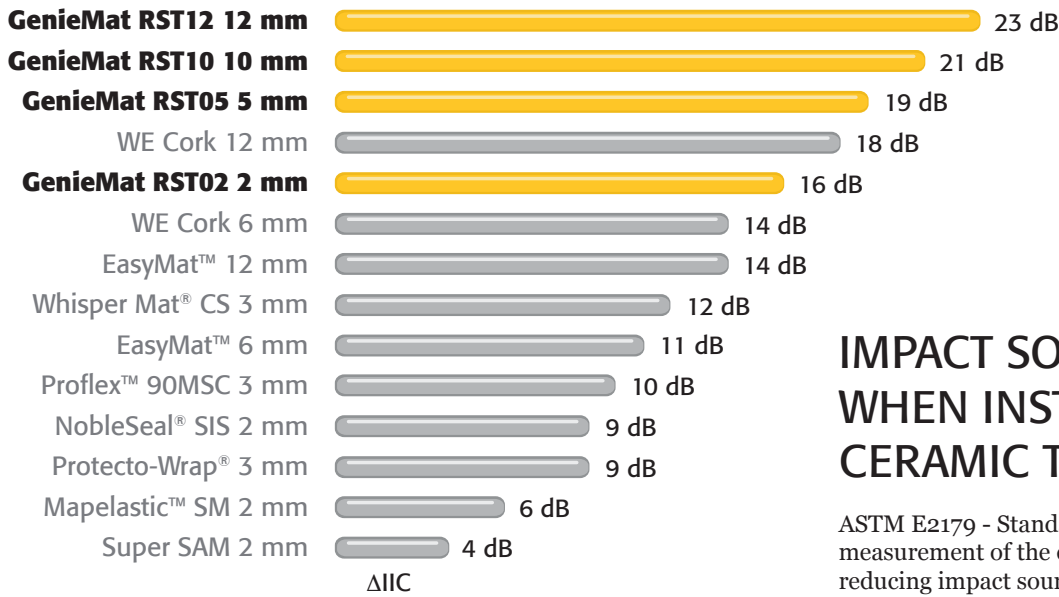


51
IIC

F5689.13

50
IIC

F5689.14



All listed dimensions are nominal.

IMPACT SOUND REDUCTION WHEN INSTALLED BENEATH CERAMIC TILE

ASTM E2179 - Standard test method for laboratory measurement of the effectiveness of floor coverings in reducing impact sound transmission through concrete floors (150 mm concrete slab with tile).

| ACOUSTICAL TESTING STANDARDS - WOOD STRUCTURES | | | | | | | |
|--|--------------------------|----------------|---------------------------|------------------------------|---|-----------------------|------------------------|
| TEST REPORT NUMBER | PRODUCT | FINISH FLOOR | STRUCTURE | SUBFLOOR | CEILING TYPE | STC RATING (ASTM E90) | IIC RATING (ASTM E492) |
| G0535.08 | GenieMat® RST02PS | Vinyl Plank | Open Web Truss | 19 mm Screed, 19 mm OSB | 12 mm Resilient Bar, 16 mm Plasterboard | 60 | 50 |
| G0535.07 | GenieMat RST02PS | Wood | Open Web Truss | 19 mm Screed, 19 mm OSB | 12 mm Resilient Bar, 16 mm Plasterboard | 61 | 50 |
| G0535.01 | GenieMat RST02PS | Porcelain Tile | Open Web Truss | 19 mm Screed, 19 mm OSB | 12 mm Resilient Bar, 16 mm Plasterboard | 62 | 51 |
| F4832.18 | GenieMat RST02 | Porcelain Tile | Engineered Joist | 12 mm Plywood, 19 mm OSB | GenieClip® RST , 2x 16 mm Plasterboard | 59 | 55 |
| F5500.03 | GenieMat RST02 | Vinyl Plank | Engineered Joist | 12 mm Plywood, 19 mm OSB | GenieClip RST , 2x 16 mm Plasterboard | 61 | 60 |
| F4832.14 | GenieMat RST02 | Wood | Engineered Joist | 12 mm Plywood, 19 mm OSB | GenieClip RST , 2x 16 mm Plasterboard | 58 | 61 |
| F2761.08 | GenieMat RST02 | Wood | CLT | None | GenieClip RST , 16 mm Plasterboard | 54 | 50 |
| F2761.09 | GenieMat RST12 | Porcelain Tile | CLT | None | GenieClip RST , 16 mm Plasterboard | 55 | 51 |
| E5958.07 | GenieMat RST05 | Vinyl Plank | CLT | None | 300 mm Wire Suspended on GenieClip LB , 16 mm Plasterboard | 58 | 58 |
| 5013143 7013216 | GenieMat RST02 | Vinyl Plank | 50 x 250 Solid Wood Joist | 19 mm Plywood, 12 mm Plywood | GenieClip RST , 12.5 mm Plasterboard | 55 | 50 |
| 5013136 7013208 | GenieMat RST02 | Ceramic Tile | 50 x 250 Solid Wood Joist | 19 mm Plywood, 12 mm Plywood | GenieClip RST , 12.5 mm Plasterboard | 58 | 52 |

* RC Deluxe is a brand of resilient bar

TEST RESULTS

| ACOUSTICAL TESTING STANDARDS - CONCRETE AND STEEL STRUCTURES | | | | | | | |
|--|-------------------------|----------------|--------------------------------|----------------------------------|---|-----------------------|------------------------|
| TEST REPORT NUMBER | PRODUCT | FINISH FLOOR | STRUCTURE | SUBFLOOR | CEILING TYPE | STC RATING (ASTM E90) | IIC RATING (ASTM E492) |
| G9222.01 | None | Vinyl Plank | 200 mm Concrete Slab | None | None | 55 | 43 |
| G9222.04 | GenieMat® RST02 | Vinyl Plank | 200 mm Concrete Slab | None | None | 54 | 57 |
| E8741.01 | GenieMat RST12 | Ceramic Tile | 200 mm Concrete Slab | None | None | 57 | 55 |
| F8530.06 | GenieMat RST05 | Wood | 200 mm Concrete Slab | None | None | 55 | 56 |
| E2783.02 | GenieMat RST05 | Porcelain Tile | 150 mm Concrete Slab | None | None | 54 | 50 |
| F9365.09 | GenieMat RST02PS | Vinyl Plank | 150 mm Concrete Slab | None | None | 51 | 52 |
| G2953.07 | GenieMat RST05 | Wood | 150 mm Concrete Slab | None | None | 52 | 53 |
| F0223.10 | GenieMat RST12 | Porcelain Tile | 200 mm Hollow Core Plank | None | None | 54 | 51 |
| F0223.04 | GenieMat RST05 | Vinyl Plank | 200 mm Hollow Core Plank | None | None | 53 | 52 |
| G3991.07 | GenieMat RST05 | Porcelain Tile | 140 mm Trapezoidal Steel Deck | None | GenieClip® RST, 16 mm Plasterboard | 56 | 51 |
| G3991.17 | GenieMat RST02 | Wood | 140 mm Trapezoidal Steel Deck | None | Furring Channel | 53 | 52 |
| F9365.02 | GenieMat RST05 | Porcelain Tile | 100 mm Trapezoidal Steel Deck | None | GenieClip RST, 2x 16 mm Plasterboard | 58 | 51 |
| F5689.07 | GenieMat RST02 | Vinyl Plank | 100 mm Trapezoidal Steel Deck | None | GenieClip RST, 16 mm Plasterboard | 54 | 54 |
| F5689.06 | GenieMat RST05 | Wood | 100 mm Trapezoidal Steel Deck | None | GenieClip RST, 16 mm Plasterboard | 55 | 54 |
| F5689.18 | GenieMat RST12 | Porcelain Tile | 250 mm Steel Joist | 19 mm Structural Concrete Panels | GenieClip RST, 2x 16 mm Plasterboard | 62 | 50 |
| F5689.20 | GenieMat RST02 | Vinyl Plank | 250 mm Steel Joist | 19 mm Structural Concrete Panels | GenieClip RST, 2x 16 mm Plasterboard | 60 | 52 |
| F5689.21 | GenieMat RST02 | Wood | 250 mm Steel Joist | 19 mm Structural Concrete Panels | GenieClip RST, 2x 16 mm Plasterboard | 60 | 53 |
| F3052.15 | GenieMat RST10 | Porcelain Tile | 400 mm Insulated Concrete Form | None | 12 mm Plasterboard | 56 | 51 |
| F3052.14 | GenieMat RST05 | Wood | 400 mm Insulated Concrete Form | None | 12 mm Plasterboard | 54 | 53 |



CONTACT US

Pliteq Building Materials Trading LLC.

For more information: info@pliteq.ae

PLITEQ BUILDING MATERIALS TRADING LLC.
European Business Centre
Dubai Investment Park
PO Box 473 512
Dubai, UAE

T. + 971 4 813 5501

PLITEQ INC.
131 Royal Group Crescent
Vaughan, ON
L4H 1X9 Canada

T. + 1 416 449 0049
F. + 1 416 849 0415

PLITEQ (UK) LTD.
Compass House
Vision Park, Chivers Ways
Histon, Cambridge
CB24 9AD

T. +44 203 9846444
F. + 44 1223 25780

PLITEQ ASIA PACIFIC PTE LTD.
#03-20/21, 195 Pearl's Hill Terrace
Singapore
168976

T. + 65 8452 6865

www.pliteq.ae

