

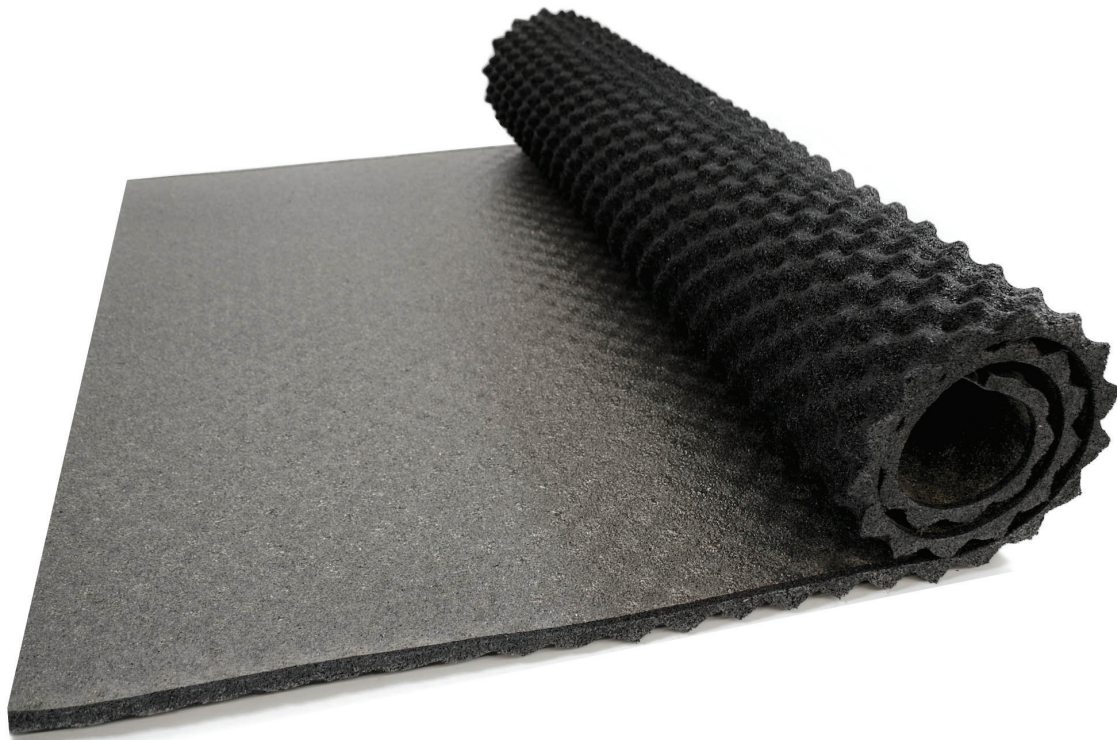


**It's not magic, it's engineering.®**

Impact and Airborne Sound Control

## GENIEMAT® FF

Floating Floor Systems for Airborne  
& Impact Sound and Vibration Isolation



MIDDLE EAST EDITION

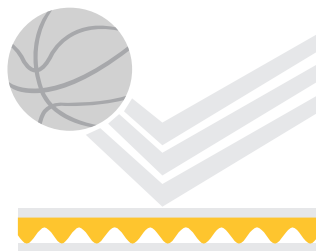
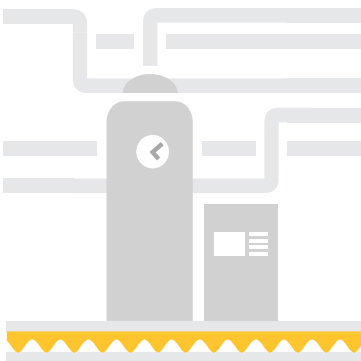
# GENIEMAT<sup>®</sup> FF

## The next generation of acoustical floating floor

### PRODUCT FEATURES

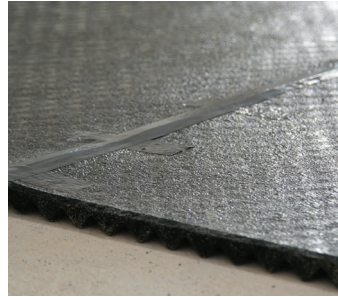
- Continuous underlayment system that limits surface area contact down to 4% at 1400 kg/m<sup>2</sup>
- Achieves low natural frequency with systems available as low as 6 Hz
- Can be safely loaded over a wide range up to 100 kg/cm<sup>2</sup>
- Composed of 92% recycled rubber content
- Integrated vapor barrier
- Qualifies for LEED<sup>®</sup> points
- Mold, bacteria, fungi, and water resistant
- Penetrations for pipes, ductwork, electrical conduits, and drains are easily accommodated
- Rolls out quickly and is easy to install without the need for adhesive
- Can be used directly under gypsum, lightweight, or normal weight concrete with no plywood formwork required

**GenieMat FF** is used for multiple applications. Contact our engineers for your project specific questions.



# EASY INSTALLATION

ROLL IT OUT - TAPE THE SEAMS - READY TO POUR



Step 1

Step 2

Step 3

Step 4

After installing perimeter isolation strips on the base of the walls, unroll **GenieMat® FF**.

Duct tape all joints and seams, including between the perimeter isolation strips and the **GenieMat FF**.







Pour screed, lightweight or normal weight concrete topping.

Prepare concrete surface for floor finish.

## SIGNIFICANTLY IMPROVES INSTALLATION EFFICIENCY

STEPS	GENIEMAT® FF ROLL OUT SYSTEM	PLYWOOD FORMWORK ISOLATOR BASED SYSTEMS	SPRING JACK-UP TYPE SYSTEM
1	Install <b>GenieMat PMI</b>	Design isolator layout	Coordinate load requirements with associated trades
2	Roll out <b>GenieMat FF</b>	Install perimeter isolation	Design isolator layout based on equipment placement
3	Tape the seams	Roll out mineral fiber matting with fiberglass isolators	Install perimeter Isolation
4	Layout reinforcement and pour concrete	Install additional isolators based on load design	Verify equipment placement, snap chalk lines and spray paint isolator locations
5		Check isolators orientation and location	Layout clear polyethylene plastic sheathing
6		Cut and install plywood formwork	Layout isolators and place rebar grid
7		Install steel connecting corner plates	Pour concrete and cure to 17.2 MN/m <sup>2</sup> minimum
8		Layout reinforcement, waterproof membrane and pour concrete	Remove all isolator cover plates
9			To raise slab 50 mm, complete 2 turns of each isolator 8-10 times
10			Replace cover plates and pour additional floor levelling compound

# GENIEMAT® FF PHYSICAL PROPERTIES

PLAN VIEW	PRODUCT	THICKNESS	DIMENSION	WEIGHT	AREA
	<b>GenieMat FF06</b>	nom. 6 mm	Rollgood: 1.2 m wide, 9.1 m long	36 kg/roll	11.1 m <sup>2</sup>
	<b>GenieMat FF10</b>	nom. 10 mm	Rollgood: 1.2 m wide, 9.1 m long	59 kg/roll	11.1 m <sup>2</sup>
	<b>GenieMat FF17</b>	nom. 17 mm	Rollgood: 1.2 m wide, 4.6 m long	47 kg/roll	5.6 m <sup>2</sup>
	<b>GenieMat FF25</b>	nom. 25 mm	Rollgood: 1.2 m wide, 4.6 m long	60 kg/roll	5.6 m <sup>2</sup>
	<b>GenieMat FF50</b>	nom. 51 mm	Rollgood: 1.2 m wide, 4.6 m long	82 kg/roll	2.8 m <sup>2</sup>
	<b>GenieMat FF75</b>	nom. 75 mm	Rollgood: 1.2 m wide, 4.6 m long	180 kg/roll	1.9 m <sup>2</sup>

## COMPRESSIBLE ELASTOMER TECHNOLOGY ALLOWS FOR LOW NATURAL FREQUENCY AT LOW LOADS

Typical vulcanized, natural, and neoprene rubber isolators are defined as incompressible. They require heavy mass loading in order to obtain adequate deflection, and consequently, vibration isolation. For applications where minimum loading criteria are not met, data shows the systems do not perform well.

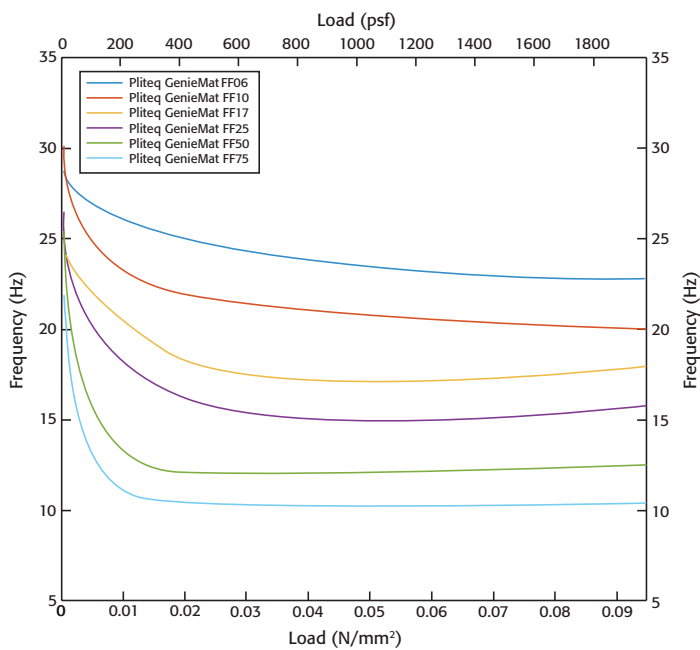
Fiberglass isolators are comprised of rigid particles that lose elasticity when compressed. Data shows a dramatic performance degradation over time.

# GENIEMAT® FF PROPERTIES

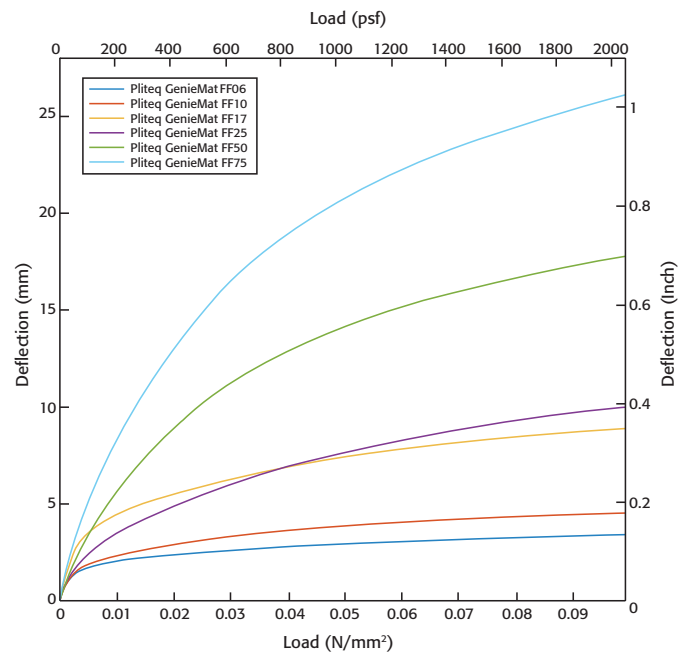
PRODUCT	100 mm Concrete (2.4 kN/m <sup>2</sup> Dead Load)			Typical Loading (19.2 kN/m <sup>2</sup> dead + live load)		
	NATURAL FREQUENCY (HZ)	10 HZ DYNAMIC STIFFNESS (N/MM/MM <sup>2</sup> )	CRITICAL DAMPING RATIO	NATURAL FREQUENCY (HZ)	10 HZ DYNAMIC STIFFNESS (N/MM/MM <sup>2</sup> )	CRITICAL DAMPING RATIO
<b>GenieMat FF06</b>	27	0.0068	9.5%	25	0.047	8.4%
<b>GenieMat FF10</b>	25	0.0059	9.7%	22	0.037	9.6%
<b>GenieMat FF17</b>	23	0.0053	12.5%	18	0.025	11.2%
<b>GenieMat FF25</b>	22	0.0045	11.5%	16	0.020	10.8%
<b>GenieMat FF50</b>	18	0.0030	10.2%	12	0.011	9.7%
<b>GenieMat FF75</b>	16	0.0022	9.6%	10	0.008	9.1%

## DESIGN PARAMETERS OF GENIEMAT FF SYSTEMS

System Natural Frequency vs. Load



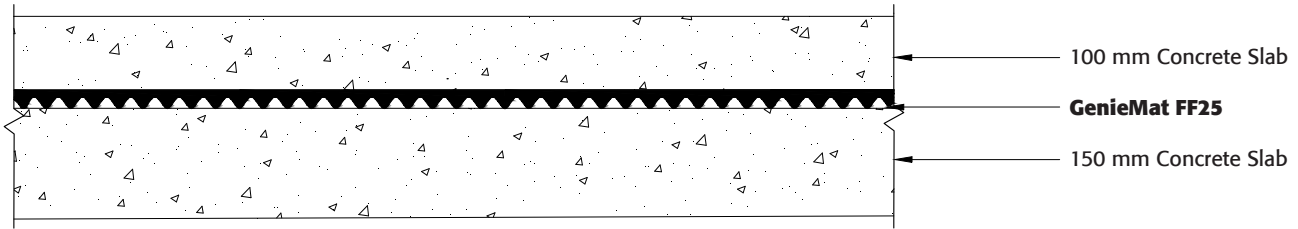
Deflection vs. Load



# GENIEMAT<sup>®</sup> FF ACOUSTICAL TEST DATA

## 150 mm STRUCTURAL SLAB WITH FLOATING CONCRETE TOPPING

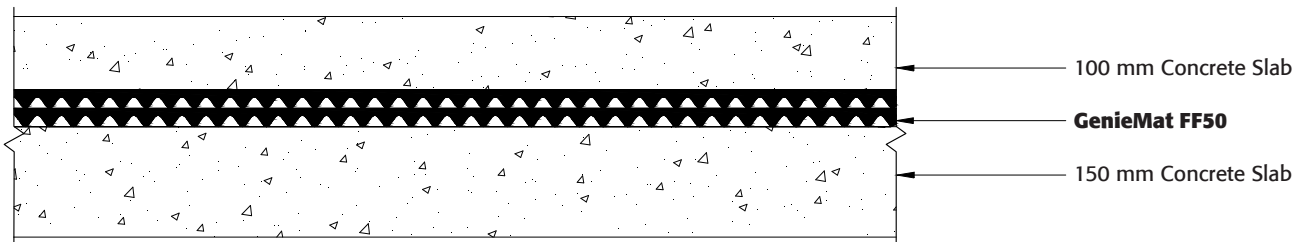
### 100 mm Concrete Topping on GenieMat FF25 on 150 mm Structural Slab



70  
STC
65  
IIC
16  
Hz

F943-41992    F536-41779     $F_n$

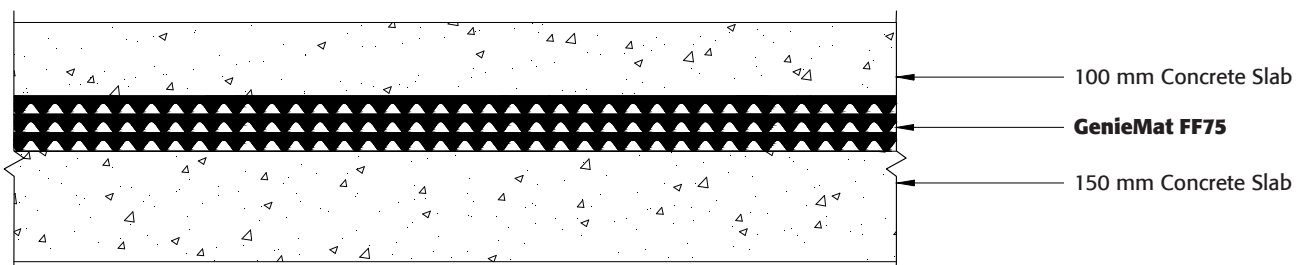
### 100 mm Concrete Topping on GenieMat FF50 on 150 mm Structural Slab



72  
STC
67  
IIC
12  
Hz

F920-41970    F539-41780     $F_n$

### 100 mm Concrete Topping on GenieMat FF75 on 150 mm Structural Slab

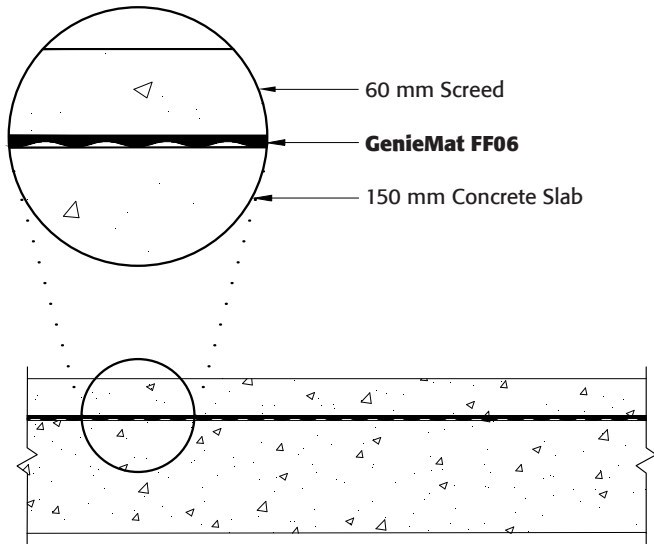


73  
STC
69  
IIC
10  
Hz

F921-41970    F540-41780     $F_n$

# GENIEMAT® FF ACOUSTICAL TEST DATA

## 60 mm Screed on GenieMat FF06

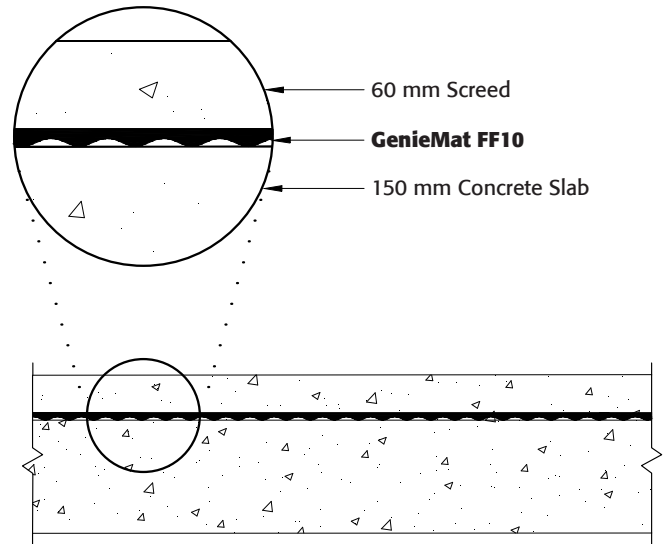


59  
STC

58  
IIC

F289-41701 F290-41701

## 60 mm Screed on GenieMat FF10

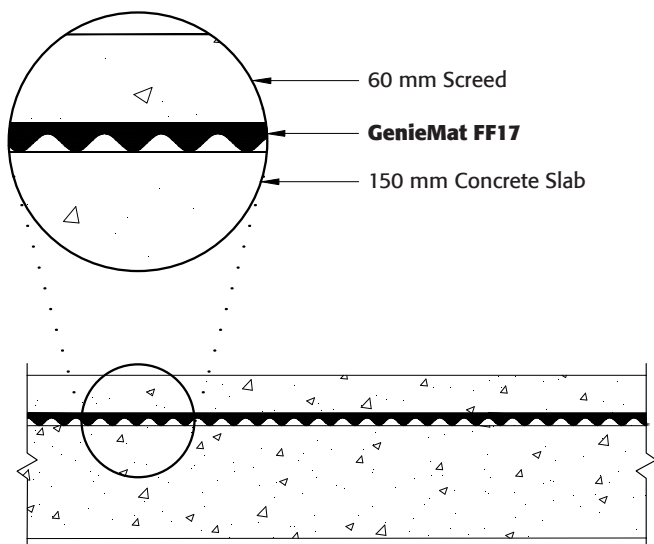


59  
STC

59  
IIC

F292-41702 F291-41702

## 60 mm Screed on GenieMat FF17

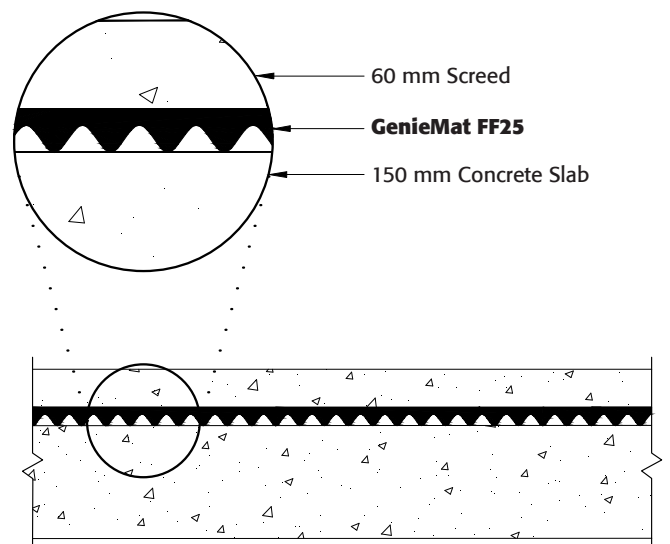


60  
STC

61  
IIC

F293-41702 F294-41702

## 60 mm Screed on GenieMat FF25



61  
STC

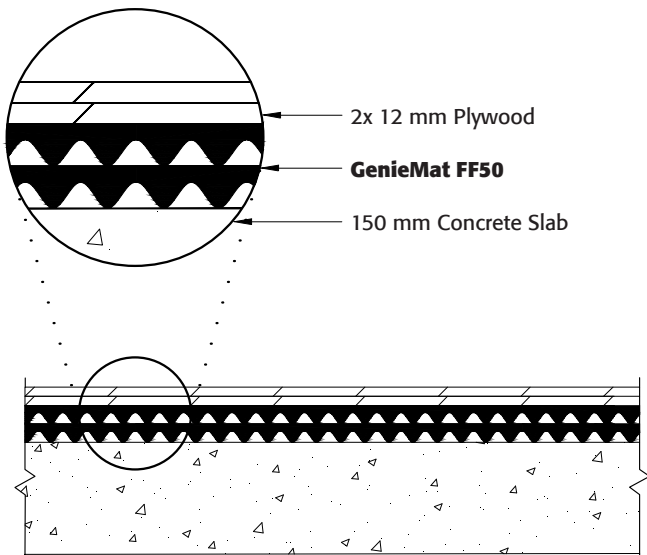
63  
IIC

F296-41702 F295-41702

# GENIEMAT® FF ACOUSTICAL TEST DATA

## 150 mm CONCRETE SLAB WITH PLYWOOD TOPPING

### 2 Layers of Plywood on GenieMat FF50

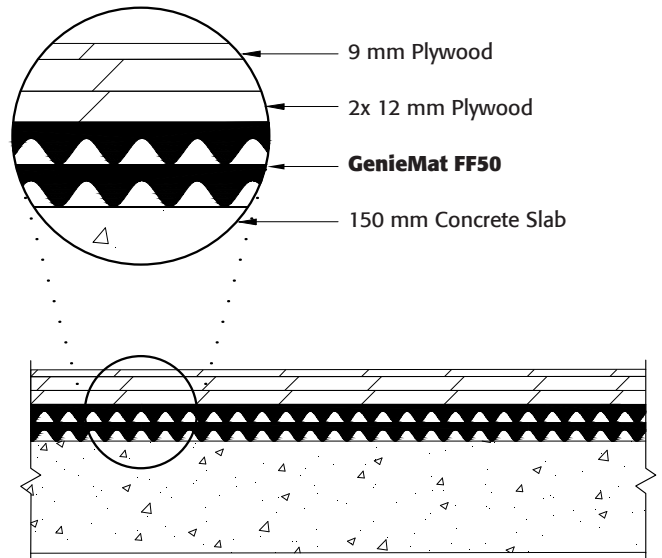


59  
STC

56  
IIC

B3498.13

### 3 Layers of Plywood on GenieMat FF50



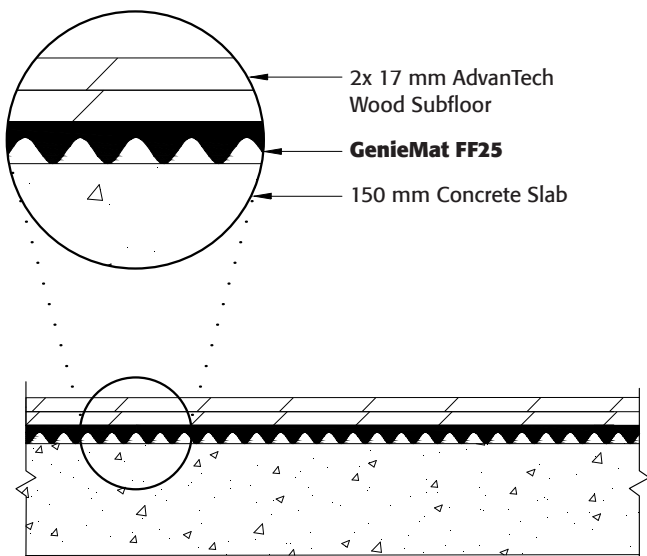
59  
STC

58  
IIC

5014148

7014204

### 2 Layers of AdvanTech® on GenieMat FF25

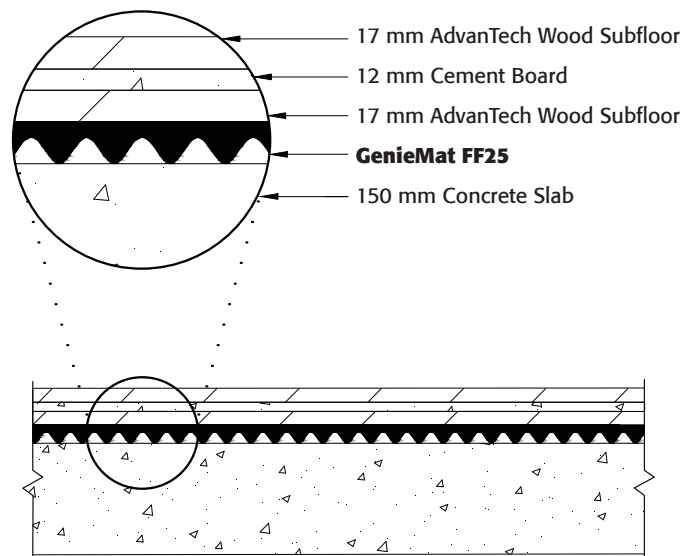


56  
STC

56  
IIC

G2953.04

### 50 mm AdvanTech Cement Board Raft on GenieMat FF25



58  
STC

59  
IIC

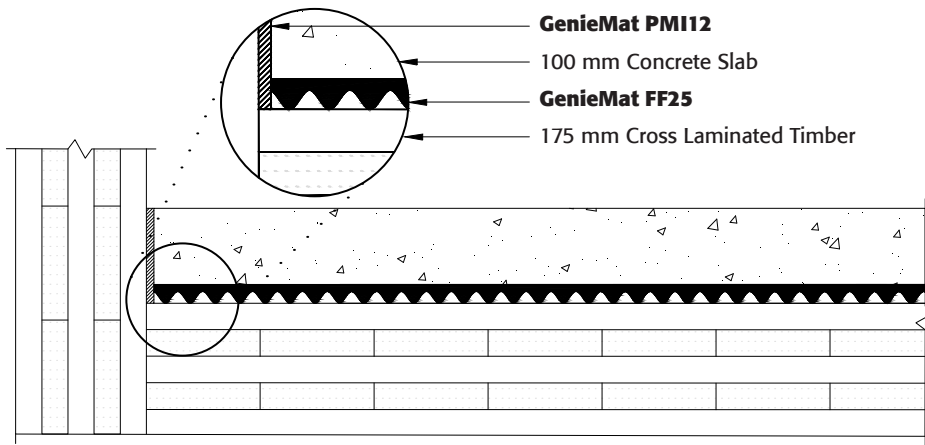
G2953.05



# GENIEMAT® FF ACOUSTICAL TEST DATA

## CROSS LAMINATED TIMBER ASSEMBLIES

### 175 mm Cross Laminated Timber with 100 mm Concrete Topping on GenieMat FF25

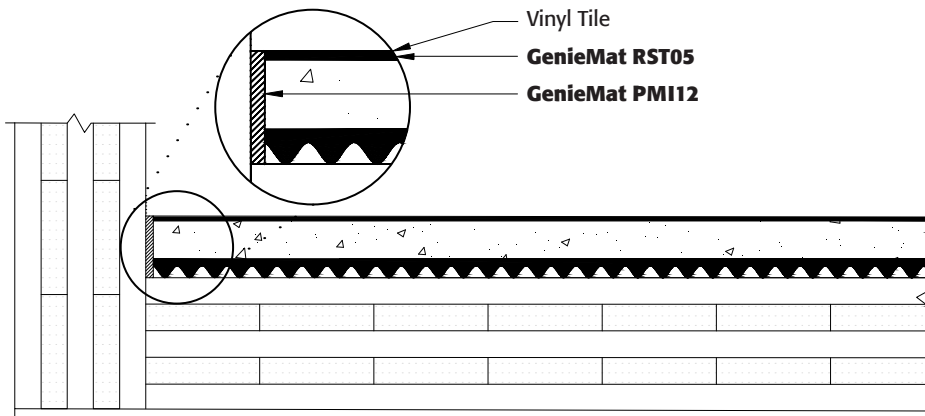


57  
STC

50  
IIC

F5500.08

### 175 mm Cross Laminated Timber with 50 mm Screed Topping on GenieMat FF25

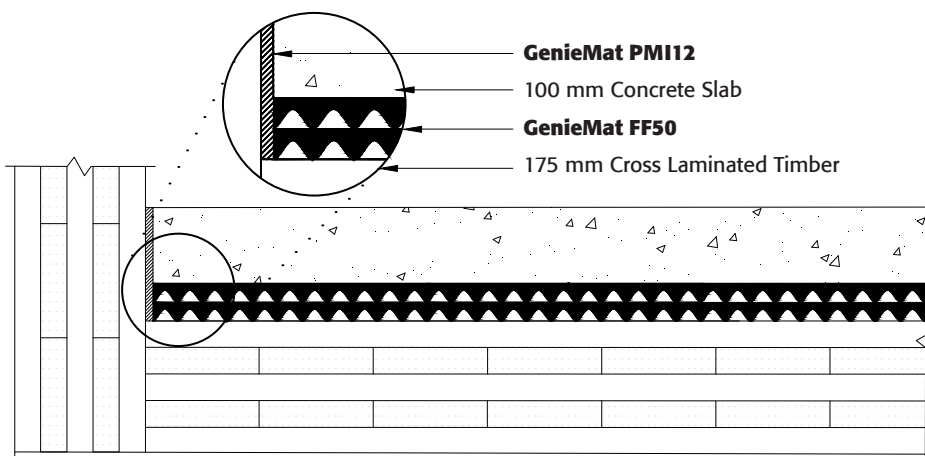


53  
STC

51  
IIC

F6279.14

### 175 mm Cross Laminated Timber with 100 mm Concrete Topping on GenieMat FF50



59  
STC

54  
IIC

F5500.10

# GENIEMAT<sup>®</sup> FF70

## Modular Panelized Floating Floor Systems

### OVERVIEW

Situations which involve:

- Multiple sources of noise and vibration
- Dynamic loads, and;
- Large ranges of dead and live loads

Require a system that is easily customized, easily installed on-site, but not to the detriment of airborne, impact, and vibration isolation.

**GenieMat FF70** modular panelized floating floor systems provide a prefabricated and modular panel for ease of install and guaranteed placement of the isolators.



---

### FEATURES AND BENEFITS

- Achieves low natural frequency with systems available as low as 6 Hz
- Customizable isolators
- Adaptable height to reduce air stiffness
- Can be used directly under gypsum, lightweight, or normal weight concrete
- Can be used directly under plywood, OSB, or cement board
- Comes in easy to handle panels -nominal 2' x 2' (610 x 610mm)
- Shiplap edge design lets you quickly and easily fit panels into place
- Sturdy 5/8" (15 mm) engineered wood formwork
- Installed over wood or concrete subfloors
- No specialized installers required

## GENIEMAT® FF70-9R

- Panels are made with 2” thick isolation pads embedded in a layer of acoustical insulation
- Natural frequency down to 10 Hz
- Subfloor contact area with the floor is reduced by 96%
- $\Delta$ IIC 35 (ASTM E2179)



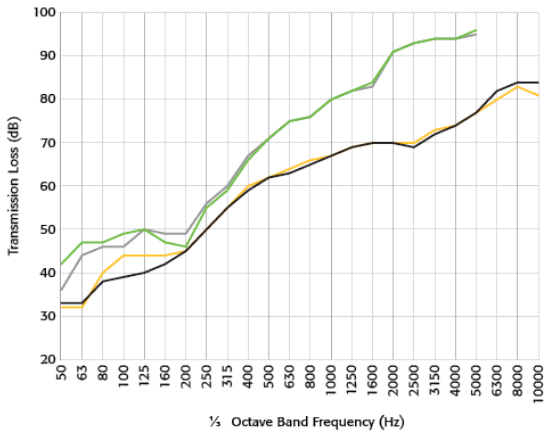
## GENIEMAT FF70LDM

- Panels are made with 2” thick Low Dynamic Modulus proprietary Pliteq elastomer embedded in a layer of acoustical insulation
- Natural frequency down to 6 Hz
- Subfloor contact area with the floor is reduced by 96%
- $\Delta$ IIC 44 (ASTM E2179)



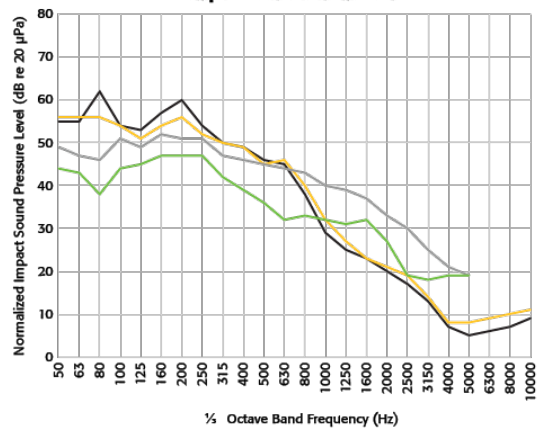
## DESIGN PARAMETERS OF GENIEMAT FF70 SYSTEMS

### Airborne Sound Transmission Lightweight vs Heavyweight Topping



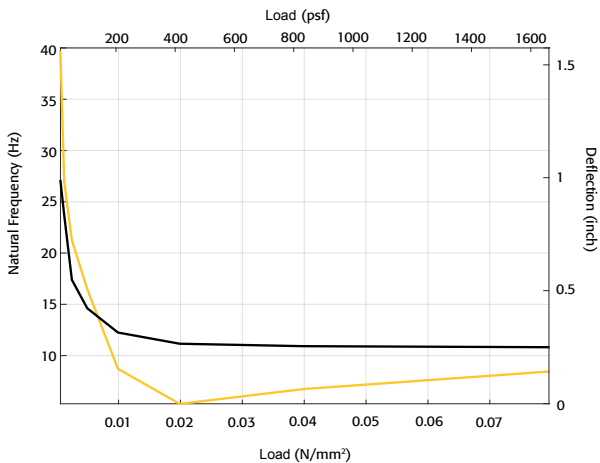
- Plywood - 3/4", GenieMat FF70 - 2 3/4", Concrete Slab - 6", STC 62
- Plywood - 3/4", GenieMat FF70LDM - 2 3/4", Concrete Slab - 6", STC 63
- Concrete Topping - 100mm, GenieMat FF70 - 2 3/4", Concrete Slab - 5.9", STC 67
- Concrete Topping - 100mm, GenieMat FF70LDM - 2 3/4", Concrete Slab - 5.9", STC 64

### Impact Sound Transmission Lightweight vs Heavyweight Topping



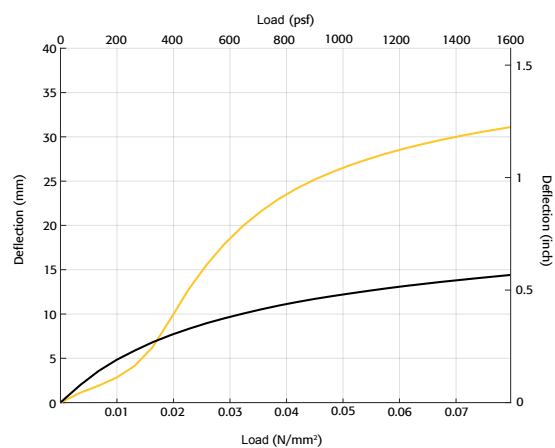
- Plywood - 3/4", GenieMat FF70 - 2 3/4", Concrete Slab - 6", IIC 60, LIIC 63, HIIC 70
- Plywood - 3/4", GenieMat FF70LDM - 2 3/4", Concrete Slab - 6", IIC 64, LIIC 68, HIIC 69
- Concrete Topping - 100mm, GenieMat FF70 - 2 3/4", Concrete Slab - 5.9", IIC 65, LIIC 85, HIIC 67
- Concrete Topping - 100mm, GenieMat FF70LDM - 2 3/4", Concrete Slab - 5.9", IIC 71, LIIC 96, HIIC 75

### System Natural Frequency vs. Load



- GenieMat FF709R - Point Isolator
- GenieMat FF70LDM - Point Isolator

### Deflection vs. Load



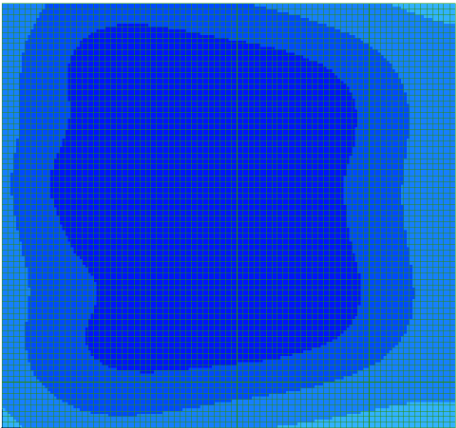
- GenieMat FF709R - Point Isolator
- GenieMat FF70LDM - Point Isolator

# GENIEMAT® FF70 PANELISED SYSTEMS FOR BASKETBALL COURT ISOLATION

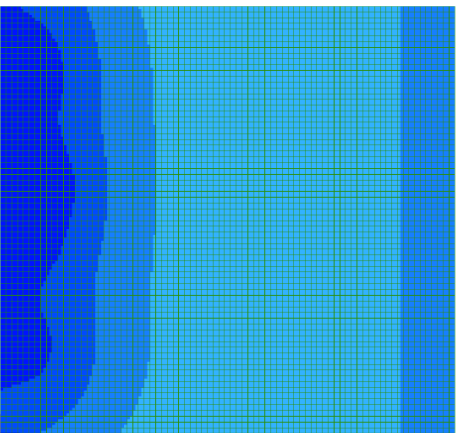
## HOW TO MANAGE ACOUSTIC AND ATHLETIC PERFORMANCE

Basketball courts generate multiple sources of noise and vibration (e.g. ball impacts and running/jumping) and can have varying loads from retractable raked seating. The floors also demand stringent ball bounce-back performance (ASTM F2117).

Using a heavy/soft impact ball for laboratory testing and analysis using finite element analysis (FEA), **GenieMat FF70** and **GenieMat FF70LDM** have been proven to effectively mitigate noise and vibration in numerous college, university, and professional sports applications.



Bleacher Open



Bleacher Closed



# FINITE ELEMENT ANALYSIS (FEA)

## WHAT IS FEA?

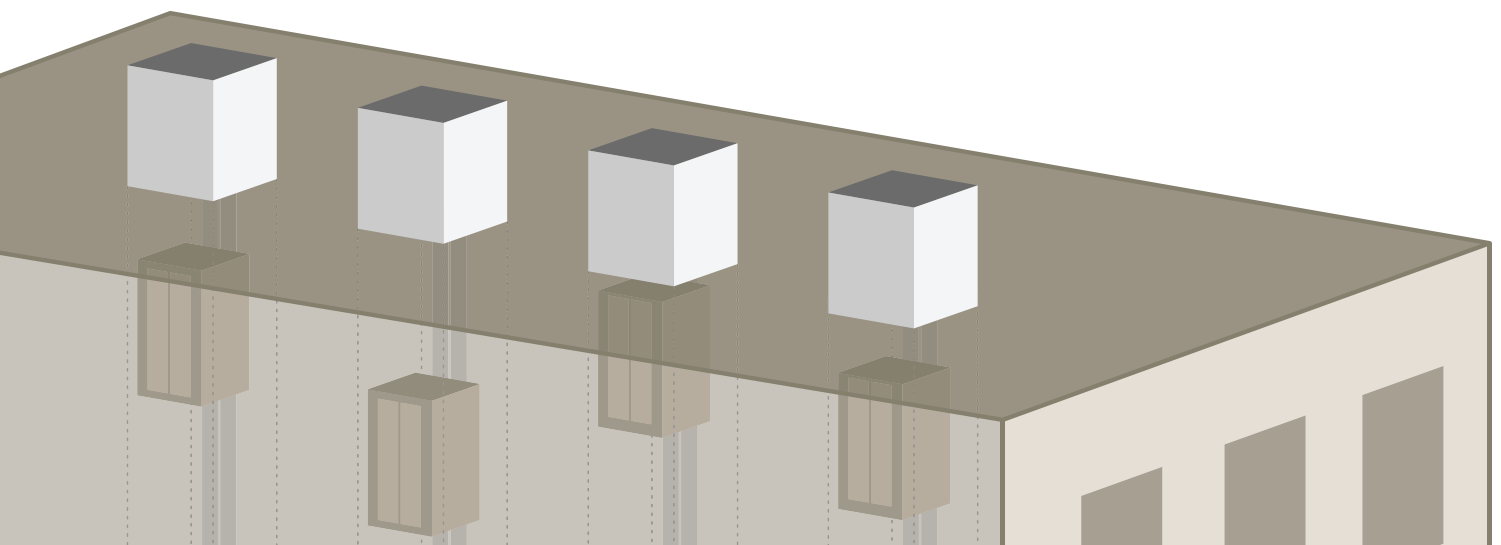
Finite Element Analysis (FEA) is a system to break complex structures into very small parts (finite elements) that can then be more easily modeled and assessed. FEA is done in such a way as to tie all these elements together so the larger motion of the complete structure can be seen and assessed.

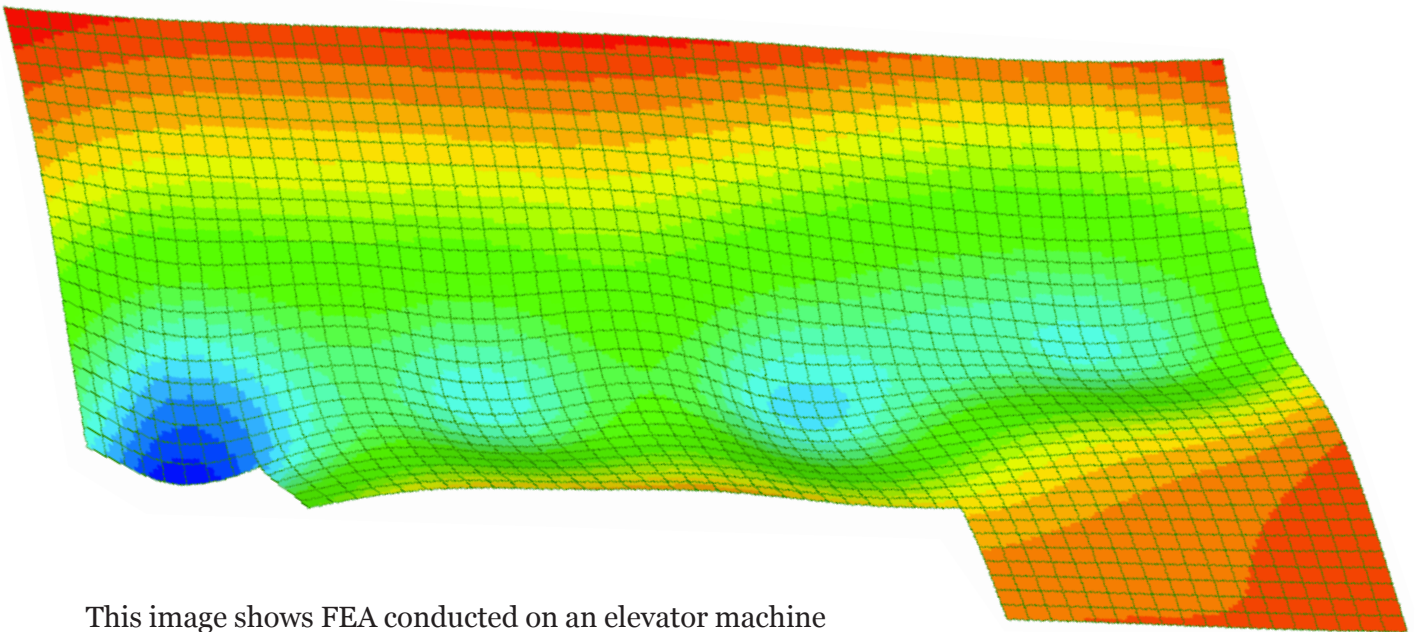
## WHY IS FEA USEFUL WHEN DESIGNING YOUR FLOATING FLOOR?

While you may not realise it, the concrete in your floating floor can bend and crack. This can happen when there are very high point loads (large HVAC equipment) or if the floor is only loaded on one side (like a basketball court with a full crowd in the bleachers). Running a FEA can ensure that your floor will not crack. It can also be used to ensure the correct material is used under high load areas and how much the floor will deflect.

## SITUATIONS IN WHICH FEA IS USEFUL:

- Non-uniform loading
- Predicting deflections to ensure smooth transitions
- Very high load equipment





This image shows FEA conducted on an elevator machine room floating floor. The various colours show the varying loads and how much they will make the floor deflect.

Analysis requires only the structural drawings and a list of the dead and live loads.

This analysis allows for value engineering solutions to be assessed to find the most cost-effective solution

## PRODUCT SPECIFICATIONS

PLAN VIEW	PRODUCT	THICKNESS	DIMENSION	WEIGHT	AREA
	<b>GenieMat FF70</b>	nom. 70 mm	Panel: nom. 0.6 m wide, 0.6 m long	5.8 kg	0.4 m <sup>2</sup>
	<b>GenieMat FF70LDM</b>	nom. 70 mm	Panel: nom. 0.6 m wide, 0.6 m long	5.4 kg	0.4 m <sup>2</sup>

## TEST RESULTS

TEST REPORT	PRODUCT	FLOOR TOPPING	STRUCTURE	STC RATING (ASTM E90)	IIC RATING (ASTM E492)
A1-008867.5	<b>GenieMat FF70LDM</b>	100 mm Concrete Slab	150 mm Concrete Slab	64	71
A1-008867.4	<b>GenieMat FF70</b>	100 mm Concrete Slab	150 mm Concrete Slab	67	65
E5600.08-113-11-R0	<b>GenieMat FF70LDM</b>	19 mm Plywood	150 mm Concrete Slab	63	64
E5600.01-113-11-R0	<b>GenieMat FF70</b>	19 mm Plywood	150 mm Concrete Slab	62	60

# TEST RESULTS

TEST RESULTS					
TEST REPORT	PRODUCT	FLOOR TOPPING	STRUCTURE	STC RATING (ASTM E90)	IIC RATING (ASTM E492)
B3498.1	None	None	150 mm Concrete Slab	53	29
F935-41976, F541-41780	<b>GenieMat® FF17</b>	100 mm Concrete Slab	150 mm Concrete Slab	70	61
F943-41992, F536-41779	<b>GenieMat FF25</b>	100 mm Concrete Slab	150 mm Concrete Slab	70	65
F920-41970, F539-41780	<b>GenieMat FF50</b>	100 mm Concrete Slab	150 mm Concrete Slab	72	67
F921-41970, F540-41780	<b>GenieMat FF75</b>	100 mm Concrete Slab	150 mm Concrete Slab	73	69
e8117.02	<b>GenieMat FF70</b>	100 mm Concrete Slab	150 mm Concrete Slab	64	64
F289-41701, F290-41701	<b>GenieMat FF06</b>	60 mm Screed	140 mm Concrete Slab	59	58
F292-41702, F291-41702	<b>GenieMat FF10</b>	60 mm Screed	140 mm Concrete Slab	59	59
F293-41702, F294-41702	<b>GenieMat FF17</b>	60 mm Screed	140 mm Concrete Slab	60	61
F296-41702, F295-41702	<b>GenieMat FF25</b>	60 mm Screed	140 mm Concrete Slab	61	63
F297-41702, F298-41702	<b>GenieMat FF50</b>	60 mm Screed	140 mm Concrete Slab	63	66
F6279.04	<b>GenieMat FF17</b>	45 mm Stone Pavers + 50 mm Adjustable Deck Supports	150 mm Concrete Slab	51	68
g2953.02	<b>GenieMat FF25</b>	(2) 12.5 mm Cement Board	150 mm Concrete Slab	55	58
g2953.04	<b>GenieMat FF25</b>	(2) 19 mm AdvanTech® Wood Subfloor	150 mm Concrete Slab	56	56
5014139, 7014190	<b>GenieMat FF06</b>	19 mm Gypsum Concrete	2x10 Wood Joist + <b>GenieClip RST</b> + 12.5 mm Plasterboard	59	52
5014142, 7014195	<b>GenieMat FF06</b>	Engineered Wood + 19 mm Screed + 19 mm Plywood	400 mm Open Web Truss + 12.5 mm Resilient Channel + 15 mm Plasterboard	57	53
g1707.11	<b>GenieMat FF06</b>	Vinyl + (2) 6 mm Cement Board + 19 mm OSB	450 mm Open Web Truss + 12.5 mm Resilient Channel + 15 mm Plasterboard	61	65
5014049, 7014060	None	None	Heavy Timber Floor	29	24
5014082, 7014109	None	100 mm Concrete Slab	Heavy Timber Floor	40	34
5014145, 7014200	<b>GenieMat FF42</b>	100 mm Concrete Slab	Heavy Timber Floor	54	51
7014194	<b>GenieMat FF42</b>	Vinyl + <b>GenieMat RST05</b> + 50 mm Screed + 25 mm Cement Board	Heavy Timber Floor	53	52
F5500.08	<b>GenieMat FF25</b>	100 mm Concrete Slab	175 mm CLT	57	50
F6279.14	<b>GenieMat FF25</b>	Vinyl + <b>GenieMat RST05</b> + 50 mm Screed	175 mm CLT	53	51
g1707.05	<b>GenieMat FF23</b>	100 mm Concrete Slab	175 mm CLT	56	52
F5500.10	<b>GenieMat FF50</b>	100 mm Concrete Slab	175 mm CLT	59	54

## CONTACT Us

For Your Project Specific Questions

**Middle East** +971 4 813 5501 | **UK** +44 203 9846444 | **Asia Pacific** +65 8452 6865

**E.** info@pliteq.ae

© Pliteq Building Materials Trading LLC. 2021.

®™ Trademarks of Pliteq Inc. The information provided is accurate to the best of our knowledge at the time of issue. However, we reserve the right to make changes when necessary without further notification. Suggested application may need to be modified to conform with local building codes and conditions. We cannot accept responsibility for products that are not used, or installed, to our specifications. All listed dimensions are nominal.



[www.pliteq.ae](http://www.pliteq.ae)