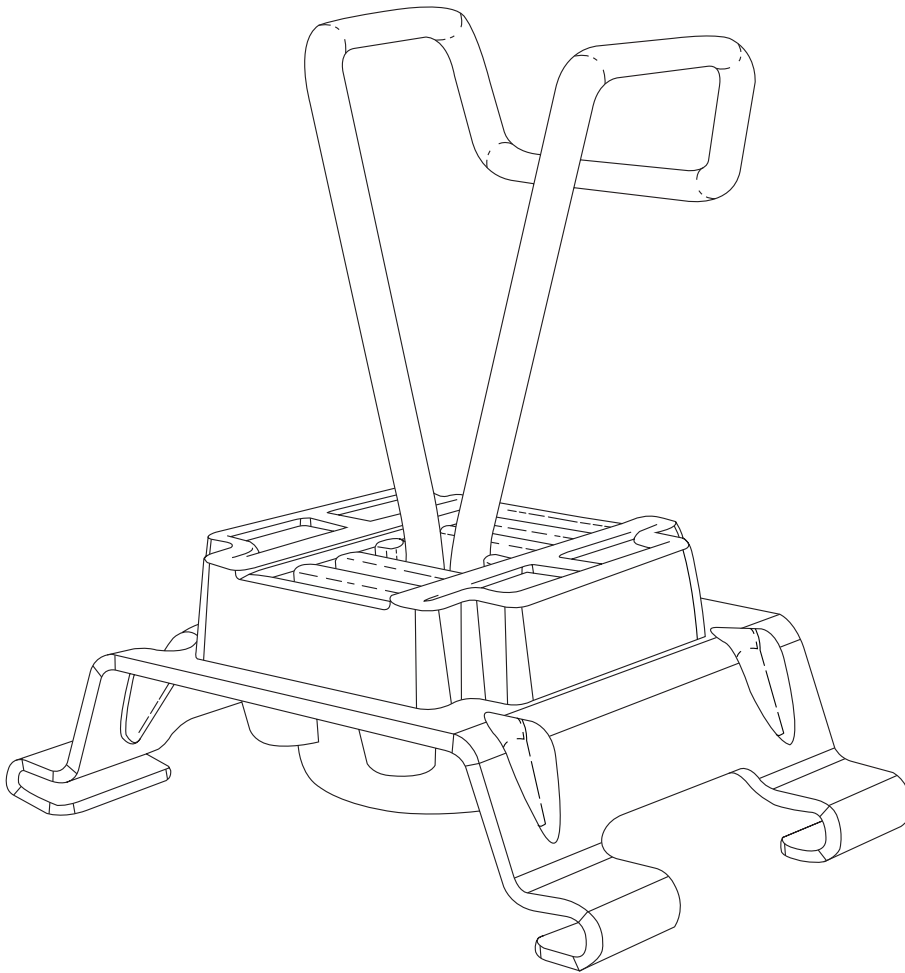




It's not magic, it's engineering.®

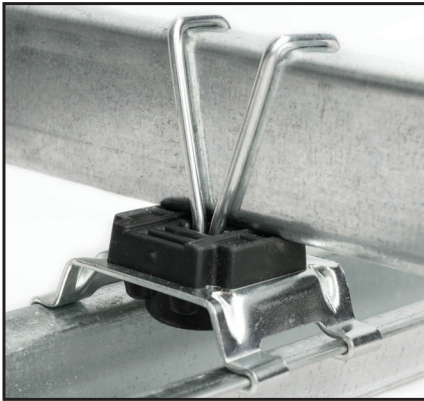
GENIECLIP® C3

Resilient Sound Isolation Clip
for Cold Rolled Channel



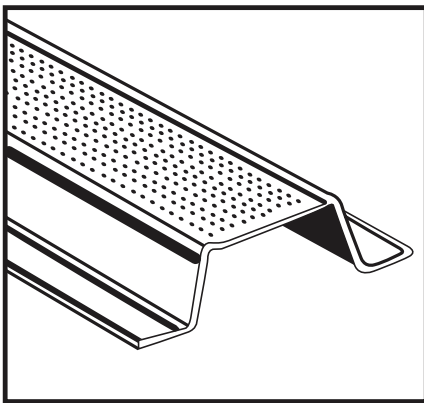
INSTALLATION INSTRUCTIONS

NOTE If at any time there is a question or concern as to the installation methods please contact **Pliteq Inc.** or your local representative.



GenieClip® C3 Specifications

Width	41 mm (1 ⁵ / ₈ ")
Height	102 mm (4")
Length	64 mm (2 ¹ / ₂ ")
Weight	62 g (0.1 lb)
Max Spacing along Pliteq® Furring Channel OC	1.22 m (48")
Max Acoustic Design Load	16 kg (36 lb)



Drywall Furring Channel Specifications (Hat Channel)

Gage minimum	25 ga. with hemmed edges
Width min at base	64 mm (2 ¹ / ₂ ")
Width max recommended at base	70 mm (2 ³ / ₄ ")
Width at top	32 mm (1 ¹ / ₄ ")
Height standard	22 mm (4 ⁴ / ₅ ")
Max Acoustic Design Load	16 kg (36 lb)

NOTE – Splice drywall **Pliteq Furring Channel** with 150 mm (6") overlaps in mid span between clips. Secure with 18 ga. wire or (2) two 7/16" framing screws.
IMPORTANT!!! **Pliteq Furring Channels** **MUST** have hemmed edges.

General Information

- **GenieClip C3** and plasterboard shall not carry heavy point loads.
- **Pliteq Furring Channel** must have hemmed edge. Splice furring channel in mid span between clips with 152 mm overlap, securing with 18 ga. wire or two 11 mm framing screws.
- For best acoustic results, seal all potential air leaks with non-hardening acoustic caulking. Use fire rated caulk where required. Resilient putty pads should be used to seal back of outlet boxes along with acoustic caulk.

Ceiling Installation Guidelines

- To attach **GenieClip C3** to the cold-rolled channel first hook the **GenieClip C3** over the cold-rolled channel as shown in **Fig. 1**.
- Swing the **GenieClip C3** into place while gently pulling down on leading edge of the clip as shown in **Fig. 2**.
- When installed correctly, the **GenieClip C3** should sit directly under the cold-rolled channel as shown in **Fig. 3**.
- Cold rolled channel shall not exceed 1200 mm on center.
- Orientation of every other cold rolled channel shall be reversed.
- Spacing between the furring channels (hat channel) shall not exceed 609 mm. Furring channels are installed perpendicular to the cold rolled channel.
- Locate the first row of furring channel within 75 mm to 150 mm of the wall edge.
- Locate the last of furring channel within 75 mm to 150 mm of the opposite wall.
- Install all other rows of furring channel ensuring maximum spacing between rows does not exceed 609 mm.
- Furring channel shall not be cantilevered more than 150 mm beyond the last **GenieClip C3**.
- Snap furring channel into the **GenieClip C3** and make joins between clips with a 150 mm overlap. Secure with 18 ga. wire or two 11 mm framing screws.
- For best acoustic results if there is more than one layer of gypsum board, seams should be staggered.
- Caulk around the entire perimeter of the gypsum board filling the whole space with non-hardening acoustic caulk. Use fire and smoke rated caulking sealant where required. Do not install caulking so that it is 'proud' of the gypsum board surface.
- After caulking has set, tape and finish as usual.

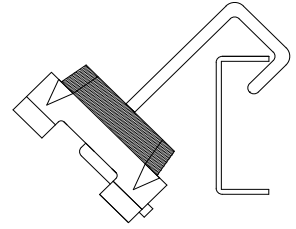


Figure 1

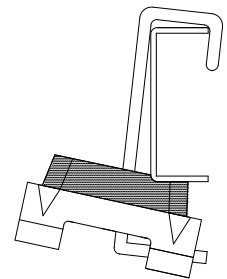


Figure 2

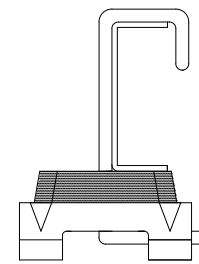


Figure 3

CONTACT US

For Your Project Specific Questions

Middle East +971 4 813 5501 | **UK** +44 203 9846444 | **Asia Pacific** +65 8452 6865

E. info@pliteq.ae

© Pliteq Building Materials Trading LLC. 2020.

®™ Trademarks of Pliteq Inc. The information provided is accurate to the best of our knowledge at the time of issue. However, we reserve the right to make changes when necessary without further notification. Suggested application may need to be modified to conform with local building codes and conditions. We cannot accept responsibility for products that are not used, or installed, to our specifications. All listed dimensions are nominal.



www.pliteq.ae