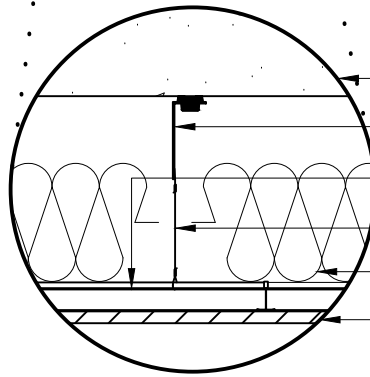
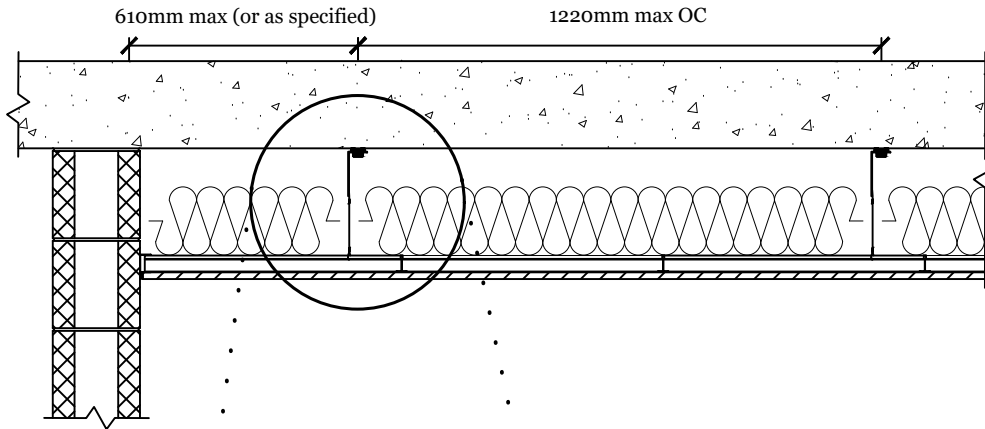
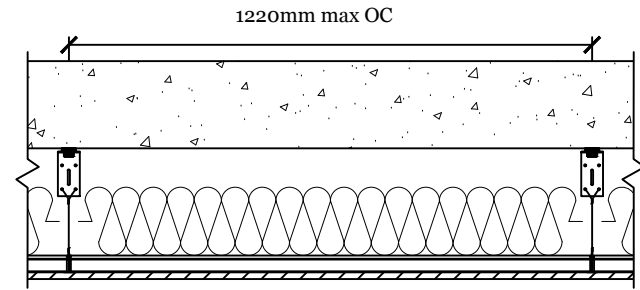


**PROFILE VIEW**

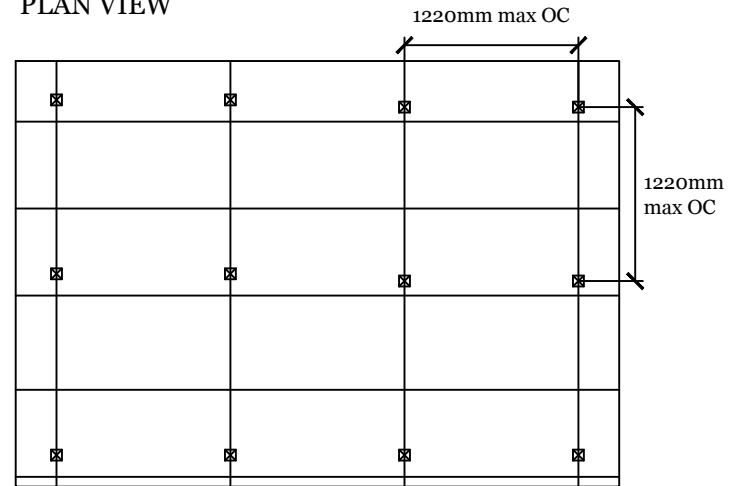


- Concrete Floor Slab
- GenieClip LB**
- Drywall Grid
- 12 Ga. Wire Hanger
- Insulation
- Drywall

**FRONT VIEW**



**PLAN VIEW**



Main Tee: North - South  
 Cross Tee: East - West



Phone: +971 4 813 5501  
 cs@pliteq.ae

**GENERAL NOTES:**

The information provided in this drawing is accurate to the best of our knowledge at the time of printing. However, we reserve the right to make changes when necessary without notification.  
 © Pliteq Building Materials Trading LLC. 2017

Notes

PROJECT: **GenieClip® LB** Ceiling Suspension Series

DRAWING: Concrete Floor Slab to Drywall Grid Ceiling

DRAWN BY: J. Joo

DATE: 2017-01-10

DWG. NO.:  
 LB12

SCALE: N/A