

# GENIECLIP<sup>®</sup> MOUNT

## RESILIENT SOUND ISOLATION CLIP FOR HEAVY MOUNTING



PATENTS: US 7,895,803 US 9,121,469 CA 2,552,516 AU 2,007,276,677 CN ZL200780034674.1 SG 149,449 EPO Patent Pending

### PRODUCT SPECIFICATION

**PRODUCT NAME:** GenieClip Mount

**DESCRIPTION:** A unibody molded rubber and steel bracket used when objects, such as TVs, kitchen cabinets, head boards, or garage door openers, are installed on walls or ceilings of multifamily, schools, hospitals, and other commercial buildings.

**APPLICATION:** Used to acoustically isolate wall or ceiling mounted objects.

**FEATURES AND BENEFITS:**

- Significantly improves low and high frequency sound control performance
- Substantially reduces impact noise by objects mounted on walls and ceilings
- Easily fastens to standard 6" metal stud track
- Qualifies for LEED<sup>®</sup> points

**DIMENSION:** nom. 41 mm width, 159 mm height, 38 mm depth  
(1 5/8" width, 6 1/4" height, 1 1/2" depth)

**BRACKET WEIGHT:** 186 g (0.4 lb)

**BRACKET/BOX:** 50

**LEAD TIME:** 2 weeks after receipt of order

### TECHNICAL DATA

**MAXIMUM DESIGN LOAD:** 91 kg (200 lb) per clip (Shear)  
45 kg (100 lb) per clip (Tension / Pullout)

**TYPE A HARDNESS (ASTM D2240):** 40 durometer (+/- 5)

**LABORATORY SOUND TRANSMISSION CLASS (ASTM E90):** Shall not effect performance of previously isolated wall by more than 1 dB in any 1/3 octave or by more than 1 STC point (Test report E2160.01-113-11)

## CONTACT Us

For Your Project Specific Questions

**Middle East** +971 4 813 5501 | **UK** +44 203 9846444 | **Asia Pacific** +65 8452 6865

**E.** info@pliteq.ae

© Pliteq Building Materials Trading LLC. 2019.

<sup>1019</sup> <sup>®</sup> Trademarks of Pliteq Inc. The information provided is accurate to the best of our knowledge at the time of issue. However, we reserve the right to make changes when necessary without further notification. Suggested application may need to be modified to conform with local building codes and conditions. We cannot accept responsibility for products that are not used, or installed, to our specifications. All listed dimensions are nominal.



[www.pliteq.ae](http://www.pliteq.ae)

# GENIECLIP<sup>®</sup> MOUNT

## RESILIENT SOUND ISOLATION CLIP FOR HEAVY MOUNTING



PATENTS: US 7,895,803 US 9,121,469 CA 2,552,516 AU 2,007,276,677 CN ZL200780034674.1 SG 149,449 EPO Patent Pending

### TECHNICAL DATA CONTINUED

**STRUCTURE-BORNE VIBRATION REDUCTION:**

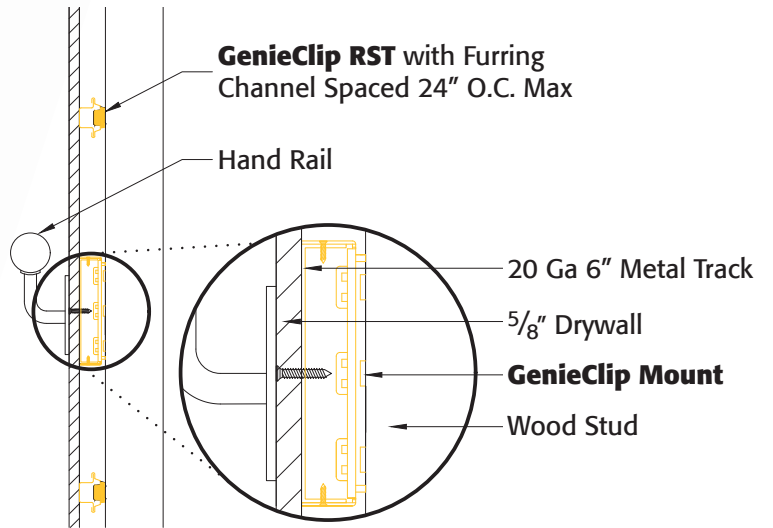
Shall provide test data from an accredited independent laboratory documenting average reduction of the re-radiated structure-borne noise of 22 dB between 125 Hz and 4000 Hz (Test report E2160.01-113-11)

**TEMPERATURE STABILITY:**

-40°C to +115°C (-40°F to +240°F)



### GenieClip Mount Installed in Conjunction with GenieClip RST



## CONTACT Us

For Your Project Specific Questions  
**Middle East** +971 4 813 5501 | **UK** +44 203 9846444 | **Asia Pacific** +65 8452 6865  
**E.** info@pliteq.ae

© Pliteq Building Materials Trading LLC. 2019.  
 ®™ Trademarks of Pliteq Inc. The information provided is accurate to the best of our knowledge at the time of issue. However, we reserve the right to make changes when necessary without further notification. Suggested application may need to be modified to conform with local building codes and conditions. We cannot accept responsibility for products that are not used, or installed, to our specifications. All listed dimensions are nominal.



[www.pliteq.ae](http://www.pliteq.ae)